

REFRIGERATOR USER INSTRUCTIONS

THANK YOU for purchasing this high-quality product. If you should experience a problem not covered in TROUBLESHOOTING, please visit our website at www.kitchenaid.com for additional information. If you still need assistance, call us at 1-800-422-1230. In Canada, visit our website at www.kitchenaid.ca or call us at 1-800-807-6777.

You will need your model and serial number, located on the inside wall of the refrigerator compartment.

Para obtener acceso a “Instrucciones para el usuario del refrigerador” en español, o para obtener información adicional acerca de su producto, visite: www.kitchenaid.com.

Necesitará su número de modelo y de serie, ubicado en el interior del compartimiento del refrigerador.

Table of Contents / Table des matières

REFRIGERATOR SAFETY.....	1	SÉCURITÉ DU RÉFRIGÉRATEUR	20
INSTALLATION INSTRUCTIONS	2	INSTRUCTIONS D'INSTALLATION	21
REFRIGERATOR USE	8	UTILISATION DU RÉFRIGÉRATEUR.....	27
REFRIGERATOR CARE.....	14	ENTRETIEN DU RÉFRIGÉRATEUR	34
TROUBLESHOOTING.....	15	DÉPANNAGE.....	35
WATER FILTER CERTIFICATIONS	17	FEUILLE DE DONNÉES SUR LA PERFORMANCE	38
PERFORMANCE DATA SHEET	18	WARRANTY	39
WARRANTY.....	19		

REFRIGERATOR SAFETY

Your safety and the safety of others are very important.

We have provided many important safety messages in this manual and on your appliance. Always read and obey all safety messages.



This is the safety alert symbol.

This symbol alerts you to potential hazards that can kill or hurt you and others.

All safety messages will follow the safety alert symbol and either the word “DANGER” or “WARNING.”

These words mean:

⚠ DANGER

You can be killed or seriously injured if you don't immediately follow instructions.

⚠ WARNING

You can be killed or seriously injured if you don't follow instructions.

All safety messages will tell you what the potential hazard is, tell you how to reduce the chance of injury, and tell you what can happen if the instructions are not followed.

IMPORTANT SAFETY INSTRUCTIONS

WARNING: To reduce the risk of fire, electric shock, or injury when using your refrigerator, follow these basic precautions:

- Plug into a grounded 3 prong outlet.
- Do not remove ground prong.
- Do not use an adapter.
- Do not use an extension cord.
- Disconnect power before servicing.
- Replace all parts and panels before operating.
- Remove doors from your old refrigerator.
- Use nonflammable cleaner.
- Keep flammable materials and vapors, such as gasoline, away from refrigerator.
- Use two or more people to move and install refrigerator.
- Disconnect power before installing ice maker (on ice maker kit ready models only).
- Use a sturdy glass when dispensing ice (on some models).
- Do not hit the refrigerator glass doors (on some models).

SAVE THESE INSTRUCTIONS

Proper Disposal of Your Old Refrigerator

! WARNING

Suffocation Hazard

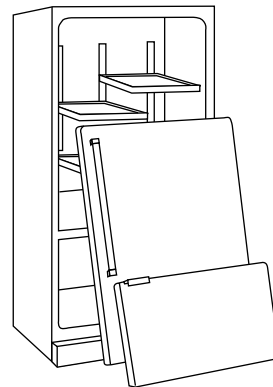
Remove doors from your old refrigerator.

Failure to do so can result in death or brain damage.

IMPORTANT: Child entrapment and suffocation are not problems of the past. Junked or abandoned refrigerators are still dangerous – even if they will sit for “just a few days.” If you are getting rid of your old refrigerator, please follow these instructions to help prevent accidents.

Before You Throw Away Your Old Refrigerator or Freezer:

- Take off the doors.
- Leave the shelves in place so that children may not easily climb inside.



INSTALLATION INSTRUCTIONS

Unpack the Refrigerator

! WARNING

Excessive Weight Hazard

Use two or more people to move and install refrigerator.

Failure to do so can result in back or other injury.

When Moving Your Refrigerator:

Your refrigerator is heavy. When moving the refrigerator for cleaning or service, be sure to cover the floor with cardboard or hardboard to avoid floor damage. Always pull the refrigerator straight out when moving it. Do not wiggle or “walk” the refrigerator when trying to move it, as floor damage could occur.

Remove the Packaging

- Remove tape and glue residue from surfaces before turning on the refrigerator. Rub a small amount of liquid dish soap over the adhesive with your fingers. Wipe with warm water and dry.
- Do not use sharp instruments, rubbing alcohol, flammable fluids, or abrasive cleaners to remove tape or glue. These products can damage the surface of your refrigerator. For more information, see “Refrigerator Safety.”
- Dispose of/recycle all packaging materials.

Clean Before Using

After you remove all of the packaging materials, clean the inside of your refrigerator before using it. See the cleaning instructions in “Refrigerator Care.”

Important information to know about glass shelves and covers:

Do not clean glass shelves or covers with warm water when they are cold. Shelves and covers may break if exposed to sudden temperature changes or impact, such as bumping. Tempered glass is designed to shatter into many small, pebble-size pieces. This is normal. Glass shelves and covers are heavy. Use both hands when removing them to avoid dropping.

Location Requirements

⚠ WARNING



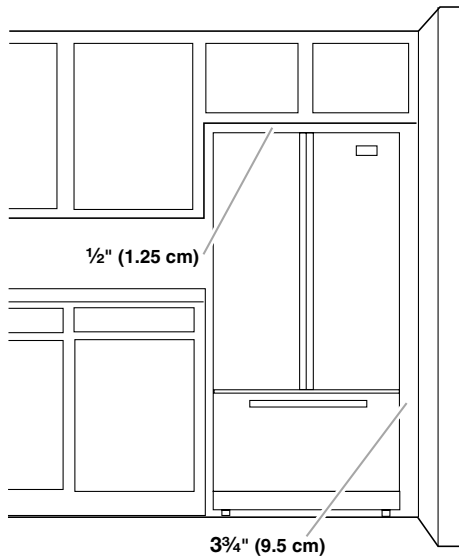
Explosion Hazard

Keep flammable materials and vapors, such as gasoline, away from refrigerator.

Failure to do so can result in death, explosion, or fire.

To ensure proper ventilation for your refrigerator, allow for a ½" (1.25 cm) of space on each side and at the top. Allow for a 1" (2.54 cm) space behind the refrigerator. If your refrigerator has an ice maker, allow extra space at the back for the water line connections. When installing your refrigerator next to a fixed wall, leave a ¾" (9.5 cm) minimum space between the refrigerator and wall to allow the door to swing open.

NOTE: It is recommended that you do not install the refrigerator near an oven, radiator, or other heat source. Do not install the refrigerator in a location where the temperature will fall below 55°F (13°C).



Electrical Requirements

⚠ WARNING



Electrical Shock Hazard

Plug into a grounded 3 prong outlet.

Do not remove ground prong.

Do not use an adapter.

Do not use an extension cord.

Failure to follow these instructions can result in death, fire, or electrical shock.

Before you move your refrigerator into its final location, it is important to make sure you have the proper electrical connection.

Recommended Grounding Method

A 115 Volt, 60 Hz., AC only 15- or 20-amp fused, grounded electrical supply is required. It is recommended that a separate circuit serving only your refrigerator be provided. Use an outlet that cannot be turned off by a switch. Do not use an extension cord.

NOTE: Before performing any type of installation, cleaning, or removing a light bulb, turn Cooling OFF, and then disconnect the refrigerator from the electrical source. When you are finished, reconnect the refrigerator to the electrical source and turn Cooling ON. See "Using the Controls."

Water Supply Requirements

Gather the required tools and parts before starting installation. Read and follow the instructions provided with any tools listed here.

TOOLS NEEDED:

- Flat-blade screwdriver
- 1/4" Nut driver
- 7/16" and 1/2" Open-end or two adjustable wrenches
- 1/4" Drill bit
- Cordless drill

IMPORTANT:

- All installations must meet local plumbing code requirements.
- Do not use a piercing-type or 3/16" (4.76 mm) saddle valve which reduces water flow and clogs more easily.
- Use copper tubing and check for leaks. Install copper tubing only in areas where the household temperatures will remain above freezing.
- For models with water filters, the disposable water filter should be replaced at least every 6 months.

Water Pressure

A cold water supply with water pressure of between 35 and 120 psi (241 and 827 kPa) is required to operate the water dispenser and ice maker. If you have questions about your water pressure, call a licensed, qualified plumber.

Reverse Osmosis Water Supply

IMPORTANT: The pressure of the water supply coming out of a reverse osmosis system going to the water inlet valve of the refrigerator needs to be between 35 and 120 psi (241 and 827 kPa).

If a reverse osmosis water filtration system is connected to your cold water supply, the water pressure to the reverse osmosis system needs to be a minimum of 40 to 60 psi (276 to 414 kPa).

If the water pressure to the reverse osmosis system is less than 40 to 60 psi (276 to 414 kPa):

- Check to see whether the sediment filter in the reverse osmosis system is blocked. Replace the filter if necessary.
- Allow the storage tank on the reverse osmosis system to refill after heavy usage.
- If your refrigerator has a water filter, it may further reduce the water pressure when used in conjunction with a reverse osmosis system. Remove the water filter. See "Water Filtration System."

If you have questions about your water pressure, call a licensed, qualified plumber.

Connect the Water Supply

Read all directions before you begin.

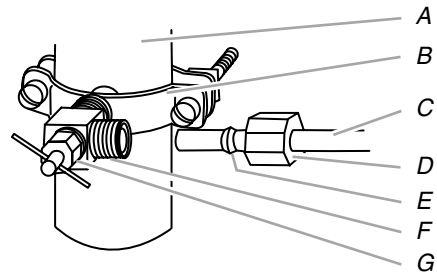
IMPORTANT: If you turn the refrigerator on before the water line is connected, turn the ice maker OFF.

Connect to Water Line

1. Unplug refrigerator or disconnect power.
2. Turn OFF main water supply. Turn ON nearest faucet long enough to clear line of water.
3. Find a 1/2" to 1 1/4" (12.7 mm to 31.8 mm) vertical cold water pipe near the refrigerator.

IMPORTANT:

- Make sure it is a cold water pipe.
 - Horizontal pipe will work, but the following procedure must be followed: Drill on the top side of the pipe, not the bottom. This will help keep water away from the drill. This also keeps normal sediment from collecting in the valve.
4. Determine the length of copper tubing you need. Measure from the connection on the lower right rear of the refrigerator to the water pipe. Add 7 ft (2.1 m) to allow for cleaning. Use 1/4" (6.35 mm) O.D. (outside diameter) copper tubing. Be sure both ends of copper tubing are cut square.
 5. Using a cordless drill, drill a 1/4" hole in the cold water pipe you have selected.

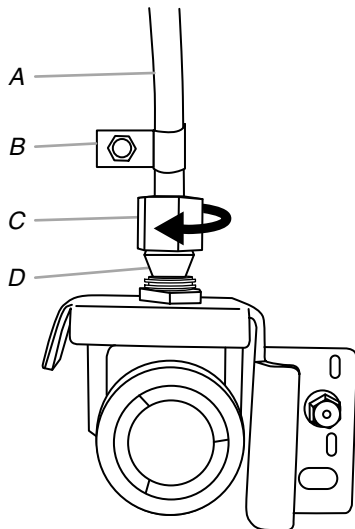


- A. Cold water pipe
B. Pipe clamp
C. Copper tubing
D. Compression nut
E. Compression sleeve
F. Shutoff valve
G. Packing nut

6. Fasten the shutoff valve to the cold water pipe with the pipe clamp. Be sure the outlet end is solidly in the 1/4" drilled hole in the water pipe and that the washer is under the pipe clamp. Tighten the packing nut. Tighten the pipe clamp screws slowly and evenly so the washer makes a watertight seal. Do not overtighten.
7. Slip the compression sleeve and compression nut on the copper tubing as shown. Insert the end of the tubing into the outlet end squarely as far as it will go. Screw compression nut onto outlet end with adjustable wrench. Do not overtighten, or you may crush the copper tubing.
8. Place the free end of the tubing in a container or sink, and turn ON the main water supply. Flush the tubing until water is clear. Turn OFF the shutoff valve on the water pipe.

Connect to Refrigerator

1. Remove plastic cap from water valve inlet port. Attach the copper tube to the valve inlet using a compression nut and sleeve as shown. Tighten the compression nut. Do not overtighten. Confirm copper tubing is secure by pulling on copper tubing.
2. Create a service loop with the copper tubing. Avoid kinks when coiling the copper tubing. Secure copper tubing to refrigerator cabinet with a "P" clamp.



A. Copper tubing
B. "P" clamp
C. Compression nut
D. Compression sleeve

3. Turn on water supply to refrigerator and check for leaks. Correct any leaks.

Complete the Installation

⚠ WARNING



Electrical Shock Hazard

Plug into a grounded 3 prong outlet.

Do not remove ground prong.

Do not use an adapter.

Do not use an extension cord.

Failure to follow these instructions can result in death, fire, or electrical shock.

1. Plug into a grounded 3 prong outlet.

NOTE: Allow 24 hours to produce the first batch of ice. Discard the first three batches of ice produced. Allow 3 days to completely fill the ice container.

Refrigerator Doors and Drawer

All graphics referenced in the following instructions are included later in this section after "Final Steps."

Remove and Replace Handles

1. Using a $\frac{3}{32}$ " or $\frac{1}{8}$ " hex key, loosen the two setscrews located on the side of each handle. See Metal Handle graphics 1 and 2.
2. Pull the handle straight out from the door. Make sure you keep the screws for reattaching the handles.
3. To replace the handles, reverse the directions.

Remove Doors and Hinges

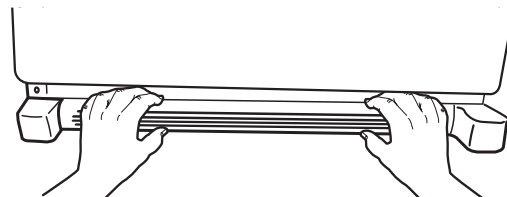
IMPORTANT:

- Remove food and any adjustable door or utility bins from doors.
- Keep the refrigerator doors closed until you are ready to lift them free from the cabinet.

NOTE: Provide additional support for the refrigerator door while the hinges are being removed. Do not depend on the door gasket magnets to hold the door in place while you are working.

TOOLS NEEDED: $\frac{5}{16}$ ", $\frac{3}{8}$ ", $\frac{1}{4}$ " hex head socket wrench, Torx^{®†} T20 screwdriver, #2 Phillips screwdriver, and a flat-blade screwdriver.

1. Unplug refrigerator or disconnect power.
2. Remove the base grille. Grasp the grille firmly and pull it toward you.



3. Starting with the right-hand side door, remove the parts for the top hinge as shown in Top Hinge graphic. Lift the refrigerator door from the bottom hinge pin.
4. Remove the hinge pin cover from the bottom hinge pin and keep it for later use. See Bottom Hinge graphic.
5. Remove top hinge cover from left side refrigerator door.
6. Remove the façade from the front of the top of the cabinet. Remove the screw on the backside of the center of the façade, then slide the façade forward and out from under the hinge.
7. Disconnect the wiring plug located on top of the hinge by wedging a flat-blade screwdriver or your fingernail between the two sections.
8. Disconnect the water line by pulling back on the locking collar while pulling the water line out of the water line connector.
9. Remove the parts for the top hinge as shown in Top Hinge graphic. Lift the left-hand side door from the bottom hinge pin.
NOTE: On some models, remove the hinge pin cover from the bottom hinge pin and keep it for later use. See Bottom Hinge graphic.
10. Using a $\frac{3}{8}$ " hex wrench, remove the leveling leg brackets from the bottom of the cabinet. Keep screws for later use.

†®TORX is a registered trademark of Textron Innovations Inc.

Replace Doors and Hinges

1. Assemble the parts for the top hinges as shown in Top Hinge graphic. Do not tighten the screws completely.
2. Replace the parts for the bottom hinge as shown in Bottom Hinge graphic. Tighten screws. Replace the refrigerator door.
NOTE: Provide additional support for the refrigerator door while the hinges are being moved. Do not depend on the door gasket magnets to hold the door in place while you are working.
3. Align the door so that the bottom of the refrigerator door aligns evenly with the top of the freezer drawer. Tighten all screws.
4. Reconnect the wiring plug on top of the left-hand side refrigerator door.
5. Reconnect the water line by pulling back the locking collar ring while firmly pushing the water line into the connector.
6. Check for leaks. Replace the façade and top hinge covers.

Remove and Replace Freezer Drawer

IMPORTANT: Two people may be required to remove and replace the freezer drawer. Graphics are included later in this section.

Remove Drawer Front

1. Open the freezer drawer to full extension.
2. Loosen the four screws attaching the drawer glides to the drawer front. See Drawer Front Removal graphic.
NOTE: Loosen screws three to four turns. Keep the screws in the drawer front.
3. Lift drawer front upward and off the screws. See Drawer Front Removal graphic.

Replace Drawer Front

1. Slide the drawer glides out of the freezer compartment. Insert the screws in the top of the drawer front into the slots in the drawer brackets. See Drawer Front Replacement graphic.
2. Pull the drawer brackets toward you to position the two screws in the bottom of the drawer front into the brackets. See Drawer Front Replacement graphic.
3. Completely tighten the four screws.

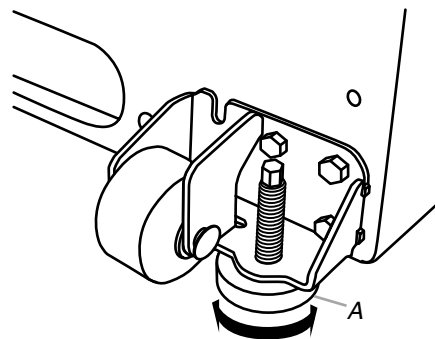
Adjust the Doors

There are two leveler foot screws located at the base of the refrigerator. If your refrigerator seems unsteady or you want the door to close more easily, use the following instructions.

1. Using a ¼" hex driver, turn the leveling screw on each side to raise or lower that side of the refrigerator.

NOTE: Having someone push against the top of the refrigerator takes some weight off the leveling screws which makes them easier to turn. It may take several turns of the leveling screw to adjust the tilt of the refrigerator.

- To raise, turn the leveling screw clockwise.
- To lower, turn the leveling screw counterclockwise.



A. Leveling screw

2. Open the door again to make sure that it closes as easily as you like. If not, tilt the refrigerator slightly more to the rear by turning both leveling screws clockwise. It may take several more turns, and you should turn both screws the same amount.
3. Replace the base grille.

Final Steps

⚠ WARNING



Electrical Shock Hazard

Plug into a grounded 3 prong outlet.

Do not remove ground prong.

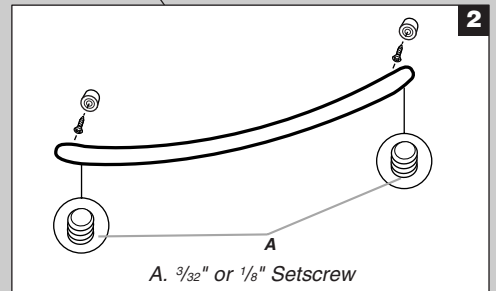
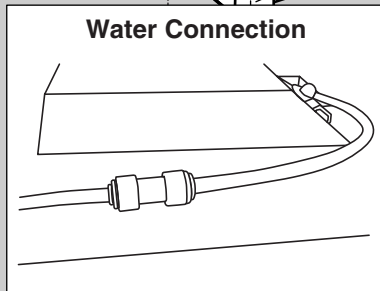
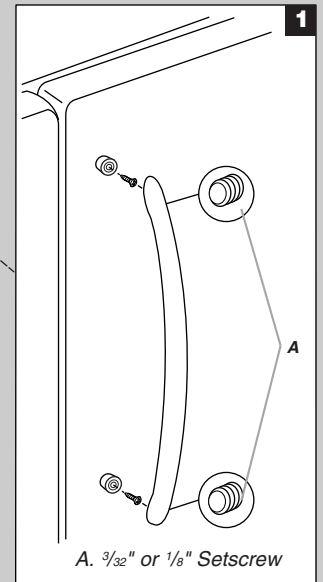
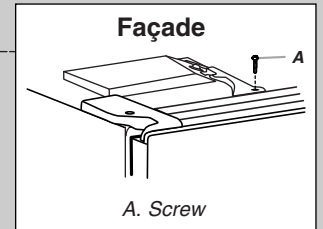
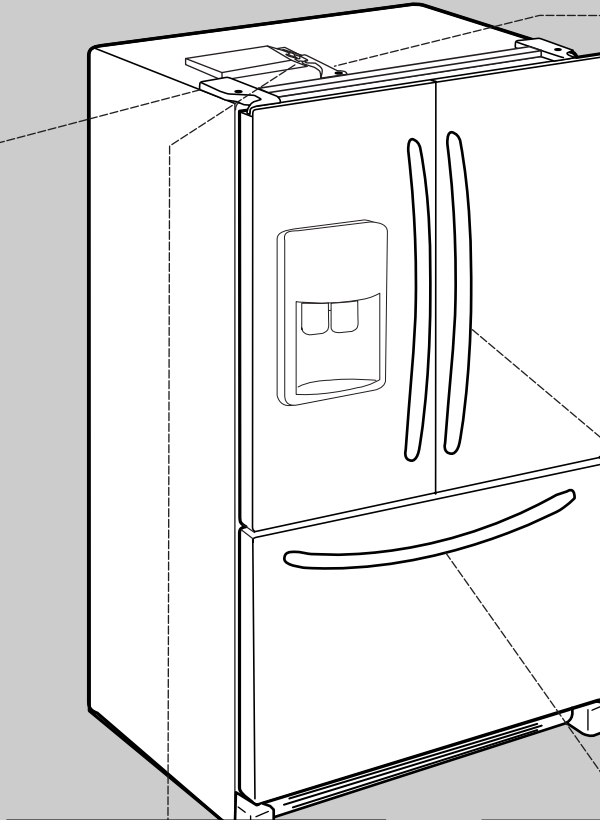
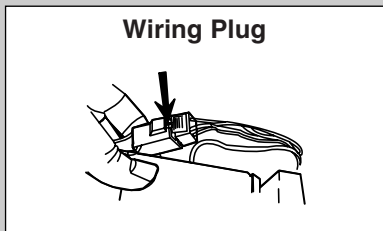
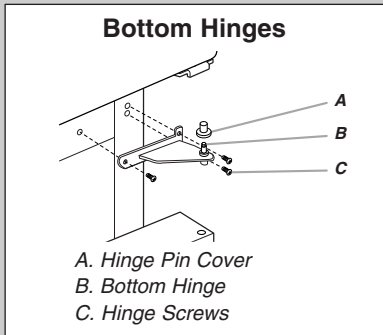
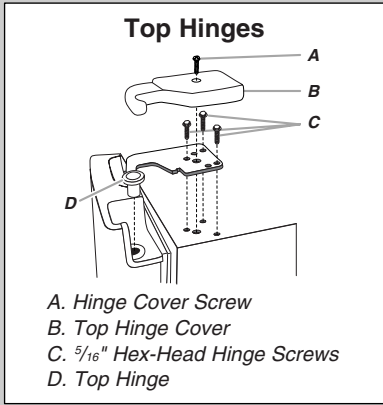
Do not use an adapter.

Do not use an extension cord.

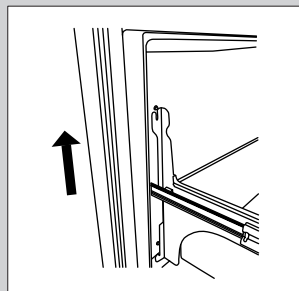
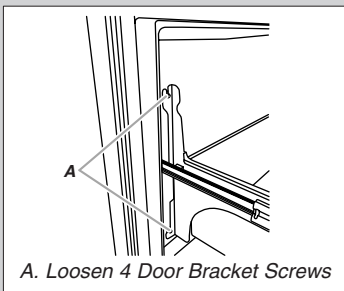
Failure to follow these instructions can result in death, fire, or electrical shock.

1. Plug into a grounded 3 prong outlet.
2. Return all removable parts to doors and drawer and food to refrigerator and freezer.

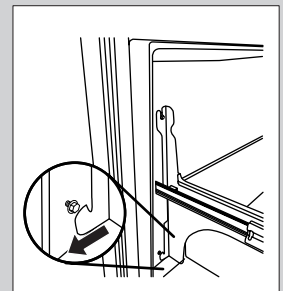
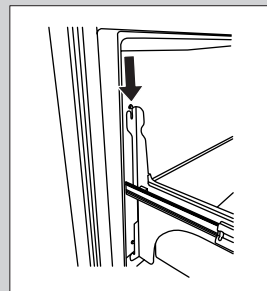
Door Removal & Replacement



Drawer Front Removal



Drawer Front Replacement



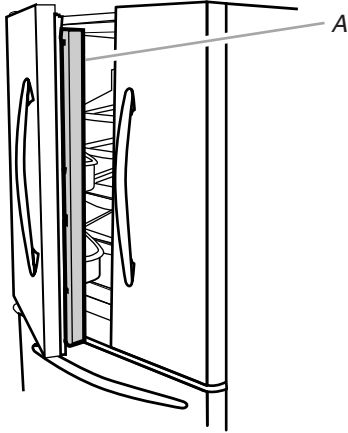
REFRIGERATOR USE

Opening and Closing Doors

There are two refrigerator compartment doors. The doors can be opened and closed either separately or together.

There is a vertically-hinged seal on the left refrigerator door.

- When the left side door is opened, the hinged seal automatically folds inward so that it is out of the way.
- When both doors are closed, the hinged seal automatically forms a seal between the two doors.



A. Hinged seal

Using the Controls

The refrigerator and freezer controls are located on the dispenser panel and display screen.



Display screen

Language Preference

The language of the text on the display screen can be set to English, Spanish or French.

- To change the display screen text from English to Spanish or French, press the HOME button on the dispenser panel. On the display screen, press OPCIONES, then PREFERENCIAS, then LANGUAGE. Select ESPAÑOL (Spanish) or FRANÇAIS (French), wait 15 seconds or press BACK, and the screen text will be changed.
- To change the display screen text from Spanish to English, press the HOME button on the dispenser panel. On the display screen, press OPCIONES, then PREFERENCIAS, then IDIOMA. Select INGLÉS, wait 15 seconds or press ATRÁS, and the screen text will be changed.
- To change the display screen text from French to English, press the HOME button on the dispenser panel. On the display screen, press OPCIONES, then PRÉFÉRENCES, then LANGUE. Select ANGLAIS, wait 15 seconds or press RETOUR, and the screen text will be changed.

Cooling On/Off

To turn cooling off, press and hold the TEMP button on the dispenser panel for 3 seconds. Your refrigerator and freezer will not cool when cooling is off.

To turn cooling back on, press and hold the TEMP button for 3 seconds again.

Temperature Controls

For your convenience, your refrigerator and freezer controls are preset at the factory.

To view set points, press the TEMP button on the dispenser panel. The factory recommended set points are 0°F (-18°C) for the freezer and 38°F (3°C) for the refrigerator.

IMPORTANT:

- Wait 24 hours before you put food into the refrigerator. If you add food before the refrigerator has cooled completely, your food may spoil.
NOTE: Adjusting the set points to a higher (colder) than recommended setting will not cool the compartments any faster.
- The preset settings should be correct for normal household usage. The controls are set correctly when milk or juice is as cold as you like and when ice cream is firm.
- Wait at least 24 hours between adjustments. Recheck the temperatures before other adjustments are made.
- The display screen on the dispenser control panel has a backlight, which will turn off automatically when the controls have not been used for 2 minutes or more. When the backlight is off, the first press of a control button or the display screen will only reactivate the backlight, without changing any settings. Within 2 minutes after the backlight has been reactivated, additional presses of control buttons or the display screen will change the applicable settings.

Door Ajar Alarm

The Door Ajar Alarm feature sounds an alarm when the refrigerator or freezer door is open for 5 minutes and the product cooling is turned on. The alarm will repeat every 2 minutes.

- Close both doors to turn it off. The feature then resets and will reactivate when either door is left open again for 5 minutes.
- If you need to keep the doors open and wish to silence the alarm for up to 5 minutes, press SNOOZE on the display screen.
- If you need to keep the doors open and wish to silence the alarm for longer than 5 minutes, press RESET on the display screen. The alarm will remain off until both doors are closed, then will reactivate when either door is left open again for 5 minutes.

Adjusting the Controls

To adjust the set points, press the TEMP button on the dispenser panel. Set points and adjusting information will appear on the display screen.

Refrigerator Controls

Make sure REFRIGERATOR is selected. The up and down arrows on the display screen allow you to adjust the refrigerator compartment temperature. The set point range for the refrigerator is 33°F to 45°F (0°C to 7°C).

- Press the down arrow to lower the set point.
- Press the up arrow to raise the set point.

NOTE: To view Celsius temperatures, press UNITS. To return the display setting to Fahrenheit, press UNITS again.

Freezer Controls

Make sure FREEZER is selected. The up and down arrows on the display screen allow you to adjust the freezer compartment temperature. The set point range for the freezer is -5°F to 5°F (-21°C to -15°C).

- Press the down arrow to lower the set point.
- Press the up arrow to raise the set point.

NOTE: To view Celsius temperatures, press UNITS. To return the display setting to Fahrenheit, press UNITS again.

CONDITION:	TEMPERATURE ADJUSTMENT:
REFRIGERATOR too cold	REFRIGERATOR Setting 1° higher
REFRIGERATOR too warm	REFRIGERATOR Setting 1° lower
FREEZER too cold	FREEZER Setting 1° higher
FREEZER too warm/too little ice	FREEZER Setting 1° lower

Press BACK to exit adjust mode.

Features

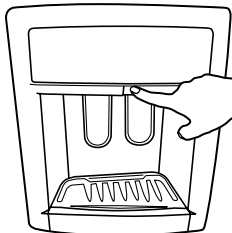
Photos

The refrigerator comes from the factory with the display screen preloaded with photos provided by the manufacturer. You may choose to keep or delete these photos.

NOTE: The display screen has a capacity of 100 photos.

USB Port

A USB port is located under the display screen in the dispenser area as shown.

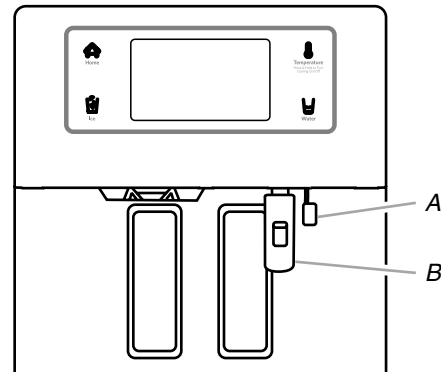


IMPORTANT:

- A USB memory device is not provided with the refrigerator. Some USB memory devices are not readable. The USB port supports only USB 1.1 and 2.0 standard memory devices.
- Upload photos stored in the main directory of the USB memory device, not from any designated folder.
- The USB reads only JPEG photos. To decrease upload time, consider reducing the image resolution.
NOTE: The recommended image resolution is 480 x 272 pixels.
- Do not download any photos directly from digital cameras or other external devices.
- The USB port does not work as a charging device.
- The ice and water dispensers will not function when the USB memory device is inserted into the USB port.

Upload Photos to the Display

1. Remove the cover from the USB port.
2. With the Home Screen shown on the Display, press PHOTOS and insert the USB memory device. The control panel will display all JPEG photos found on the USB memory device.
NOTE: Up to 100 photos can be uploaded to the display screen.



A. USB port cover
B. USB memory device

3. Touch the photos you wish to select. The selected photos will be highlighted.
NOTE: A selected image will be unselected if it is touched again.
4. Press UPLOAD SELECTED to upload just the selected photos, or press UPLOAD THIS PAGE to upload the six photos visible on the screen. Repeat this process to upload up to 100 photos.
5. Remove the USB memory device and replace the cover on the USB port.

IMPORTANT:

Uploading will be interrupted if any of the following occur:

- If any of the FILL buttons, dispenser paddles or CANCEL are pressed.
- If a door ajar alarm, or power outage occurs during uploading.
- If the USB memory device is removed.

NOTE: If the USB memory device is removed while uploading photos, the display will show only the photos that have completely transferred. If no photos have completely transferred, the display returns to the Home screen.

Delete Photos from the Display

Photos can be removed from the display once uploaded.

1. Select the image(s) you wish to delete by touching it on the display. The selected photos will be highlighted.
2. Press DELETE SELECTED to delete just the selected photos, or press DELETE ALL to delete all uploaded photos.
NOTE: A FACTORY RESET will also delete all uploaded photos from the display screen.

IMPORTANT:

Deleting will be interrupted if any of the following occur:

- If any of the FILL buttons, dispenser paddles or CANCEL are pressed.
- If a door ajar alarm, or power outage occurs during deleting.

Slideshow

1. From the Home screen, press PHOTOS. Photos previously uploaded will be displayed.
2. Press SLIDESHOW, and all uploaded photos will appear in the slideshow.

NOTE: After 1 hour of slideshow running time, the display screen will automatically return to the Energy Save Mode (Sleep Mode). Touch the display screen to exit Energy Save Mode (Sleep Mode) and return to slideshow.

IMPORTANT:

Slideshow will be interrupted if any of the following occur:

- If any of the FILL touch pads or dispenser paddles are pressed, or if you press anywhere in the display screen.
- If a door ajar alarm, or power outage occurs.

When slideshow is interrupted, restart the slideshow by following steps 1 and 2.

Measurement

Provides measurement equivalents for common liquids, solids, butter and miscellaneous items.

Substitutions

Provides substitutions for common ingredients used in recipes. Recommends ingredients that can be substituted for some liquids, powders and solids that you may not have on hand when preparing a recipe.

Options

Lock

See "Water and Ice Dispensers."

Timer

To assist with general kitchen activities, the controls include a timer feature.

1. On the display screen, press OPTIONS, then TIMER.
2. Use the up and down arrows to adjust the hours and minutes as desired.
3. To start the timer countdown, press START. The timer will not start if you exit the timer screen without pressing START.
 - When the timer is counting down, press PAUSE to pause the countdown. Press START again to restart the countdown.
 - To reset the timer to zero, press RESET at any time.
 - Press MAXIMIZE to increase the size of the countdown on the display screen. When the countdown reaches zero, the display will return to the previous screen.

IMPORTANT: When using the timer, you can also use other control and dispenser features. Press the HOME button on the dispenser panel. The timer countdown will be shown at the top of the display screen.

4. When the countdown reaches zero, the timer clock will blink and a tone will sound, repeating every 30 seconds. Press RESET to turn off the tone and reset the timer feature.

Use and Care

Provides assistance or service information and brief answers to some frequently asked questions.

Max Cool

The Max Cool feature assists with periods of heavy ice usage, full grocery loads, or temporarily warm room temperatures.

On the display screen, press OPTIONS, then MAX COOL. The display screen indicates whether the feature is on or off. Press the MAX COOL icon to toggle between settings.

Once activated, the Max Cool setting will remain on for 24 hours unless manually turned off. The display will continue to show your normal temperature set points.

NOTE: If increased ice production is desired at all times, change the freezer control to a lower setting. Setting the freezer to a colder temperature may make some foods, such as ice cream, harder.

Water Filter

Provides water filter status and replacement filter ordering information. After water filter is replaced, press RESET to change the water filter status. See "Water Filter System."

Ice Maker

Allows you to turn the ice maker on and off.

Outage

Provides a power outage history showing the dates and times the power was out. See "Water and Ice Dispensers."

Preferences

Allows you to set Language preference. See "Using the Controls." Allows you to set Ice, Water and Dispensing preferences. See "Water and Ice Dispensers."

Settings

Time and Date

- To change the time and date displayed, press OPTIONS, then SETTINGS, then TIME & DATE.

To change the time, use the up and down arrows.

To change the date, press CHANGE DATE, then use the arrows to adjust the setting as desired.

Sound Volume

- To adjust the volume of all dispenser and control sounds, press OPTIONS, then SETTINGS, then VOLUME. Select the desired volume, then wait 15 seconds or press BACK.

NOTE: Selecting MUTE will not disable the Door Ajar Alarm.

Screen Brightness

- To adjust the brightness of the display screen, press OPTIONS, then SETTINGS, then BRIGHTNESS. Select the desired brightness, then wait 15 seconds or press BACK.

Factory Reset

- To reset all system settings and preferences to the factory defaults, press OPTIONS, then SETTINGS, then FACTORY RESET. On the next screen, press YES to confirm. If you unintentionally press YES instead of NO, you will have 3 seconds to press CANCEL and retain your custom settings.

IMPORTANT: When choosing to return to the default settings, all customized preferences will be lost - including temperature set points, dispensing preferences and presets, language selection, volume and brightness settings, time and date, and all photos saved in the display screen.

Touch Screen Care

IMPORTANT: Do not use sharp objects when using the touch screen. Doing so could damage the screen.

For information about cleaning the touch screen, see "Cleaning."

Crisper Humidity Control

You can control the amount of humidity in the moisture-sealed crisper. Depending on your model, adjust the control to any setting between FRUIT and VEGETABLES or LOW and HIGH.

FRUIT/LOW (open) for best storage of fruits and vegetables with skins.

VEGETABLES/HIGH (closed) for best storage of fresh, leafy vegetables.

Water and Ice Dispensers

IMPORTANT:

- After connecting the refrigerator to a water source or replacing the water filter, flush the water system. Use a sturdy container to depress and hold the water dispenser lever for 5 seconds, then release it for 5 seconds. Repeat until water begins to flow. Once water begins to flow, continue depressing and releasing the dispenser lever (5 seconds on, 5 seconds off) until a total of 4 gal. (15 L) has been dispensed. This will flush air from the filter and water dispensing system, and prepare the water filter for use. Additional flushing may be required in some households. As air is cleared from the system, water may spurt out of the dispenser.
 - Allow 24 hours for the refrigerator to cool down and chill water.
 - Allow 24 hours to produce the first batch of ice. Discard the first three batches of ice produced.
 - The dispensing system will not operate when the refrigerator door is open and/or when a USB device is placed into the USB port.
-

Options

Depending on your model, you may have one or more of the following options: the ability to select crushed or cubed ice, a pull-out tray, a light that turns on when you use the dispenser, a lock to avoid unintentional dispensing or an indicator that tells you when there has been a power outage.

NOTES:

- The language of the text on the display screen can be set to English, Spanish or French. For information about changing the language, see "Using the Controls."
 - The display screen on the dispenser control panel has a backlight, which will turn off automatically when the controls have not been used for 2 minutes or more. When the backlight is off, the first press of a control button or the display screen will only reactivate the backlight, without changing any settings. Within 2 minutes after the backlight has been reactivated, additional presses of control buttons or the display screen will change the applicable settings.
-

Water Dispenser

IMPORTANT: Dispense enough water every week to maintain a fresh supply.

The default display unit for water dispensing is ounces. The units can be changed to cups or liters.

To Dispense Water (Standard):

1. Press a sturdy glass against the water dispenser pad OR place the glass below the water dispenser and press the water dispenser button.



Water

2. Remove the glass OR release the button to stop dispensing.

To Dispense Water (Measured Fill):

Measured Fill allows you to dispense a specified amount of water with the touch of a few buttons.

NOTE: The amount of water you select will be dispensed. Be sure that the container is empty and can hold the entire volume. If ice is in the container, you may need to adjust your selection.

1. Press WATER on the display screen to turn the feature on.

NOTE: The dispenser will automatically exit the Measured Fill screen after 15 seconds of inactivity.

2. You can dispense water by the ounce, cup, or liter. Press UNITS to select your desired setting. Minimum and maximum volumes are listed below.

Units	Minimum	Maximum
Ounces	1	128
Cups	1/4	16
Liters	0.05	4

3. Press the up and down arrows to adjust the volume as desired.

NOTE: Most coffee cups (commonly 4 to 6 oz [118 to 177 mL] per cup) are not the same size as a measuring cup (8 oz [237 mL]). You may need to adjust the volume to avoid unintentionally overfilling coffee cups. The Measured Fill feature is based on standard household water pressure of 60 psi. Users with low water pressure may need to adjust the volume selection accordingly.

4. To dispense water, press a sturdy glass against the water dispenser pad OR place the glass below the water dispenser and press the water dispenser button.



Water

NOTE: While dispensing water, the digital display will count down how much water remains to be dispensed, according to the volume you selected. The flow of water will automatically stop once the desired volume has been dispensed.

5. To stop dispensing before the selected volume has been dispensed, remove the glass from the dispenser pad OR press the water dispenser button a second time.

NOTE: If you stop dispensing before the desired volume has been dispensed, the digital display will continue to show how much water remains to be dispensed. The display will exit the Measured Fill screen after 15 seconds of inactivity.

To select a new volume or select the same volume again, you must first finish dispensing the selected volume, or turn off the Measured Fill feature and then turn it back on.

Preset Volumes

The dispenser can store up to three preset water volumes, for easy dispensing into commonly used containers.

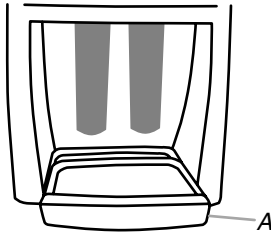
- To store presets, press WATER, then PRESET. Locate a blank or unwanted preset on the display screen. Press and hold that preset for 3 seconds, and the preset adjustment menu will appear on the display screen. Adjust the units and volume of water as desired, as instructed in steps 2 and 3 of the previous section. Press PRESET to save the preset.
- To use presets, press WATER, then PRESET, then press and release the desired preset. Dispense water as instructed in steps 4 and 5 of the previous section.

Pull-out Tray

Your dispenser includes a small pull-out tray at the bottom of the dispenser.

- The tray can be pulled slightly to better support large containers. It is designed to catch small spills and allow for easy cleaning. There is no drain in the tray.

NOTE: The tray can be removed from the dispenser and carried to the sink to be emptied or cleaned. Pull the tray out until it hits the stop, then gently lift up on the back of the tray and slide it out the rest of the way.



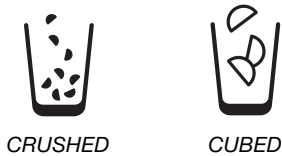
A. Pull-out tray

Ice Dispenser

Ice dispenses from the ice maker storage bin in the freezer when the dispenser pad is pressed. The dispensing system will not operate when the refrigerator door is open. To turn off the ice maker, see “Ice Maker and Storage Bin.”

Your ice maker can produce crushed and cubed ice. Before dispensing ice, press ICE on the display screen to select which type of ice you would like to dispense.

The display screen indicates which type of ice is selected.




For crushed ice, cubes are crushed before being dispensed. This may cause a slight delay when dispensing crushed ice. Noise from the ice crusher is normal, and pieces of ice may vary in size. When changing from crushed to cubed, a few ounces of crushed ice will be dispensed along with the first cubes.

To Dispense Ice:

1. Select the desired type of ice.

⚠ WARNING



Cut Hazard

Use a sturdy glass when dispensing ice.

Failure to do so can result in cuts.

2. Press a sturdy glass against the ice dispenser pad OR place the glass below the ice dispenser and press the ice dispenser button.



Hold the glass close to the dispenser opening so ice does not fall outside of the glass.

IMPORTANT: You do not need to apply a lot of pressure to the pad or button in order to activate the ice dispenser. Pressing hard will not make the ice dispense faster or in greater quantities.

3. Remove the glass OR release the button to stop dispensing.
NOTE: Ice may continue to dispense for up to 10 seconds after removing the glass from the pad or releasing the button. The dispenser may continue to make noise for a few seconds after dispensing.

Dispenser Light

When you use the dispenser, the light will automatically turn on. If you want the light to be on continuously, press LIGHT on the display screen to toggle between the ON and OFF settings. The display screen indicates which mode is selected.

ON: The dispenser light will remain on at a consistent brightness.

OFF: The dispenser light will remain off except when dispensing water or ice.

The dispenser lights are LEDs that cannot be changed. If it appears that your dispenser lights are not working, see “Troubleshooting” for more information.

Dispenser Lock

The dispenser can be turned off for easy cleaning or to avoid unintentional dispensing by small children and pets.

NOTE: The lock feature does not shut off power to the refrigerator, to the ice maker, or to the dispenser light. It simply deactivates the dispenser controls and levers. To turn off the ice maker, see “Ice Maker and Storage Bin.”

- To lock the dispenser, press OPTIONS, then LOCK, then YES. The display screen will confirm when the dispenser is locked.
- To unlock the dispenser, press OPTIONS, then LOCK, then YES. The display screen will confirm when the dispenser is unlocked.

Power Outage Indicator (on some models)

The power outage indicator lets you know if the power supply to your refrigerator is cut off for more than 1 hour.

When power is restored, a power outage alert will appear on the display screen. The display shows how long the refrigerator was without power, using exact times if the clock has been set.

When the indicator is on, all other dispenser functions are disabled. To use the dispenser, you must reset the power outage indicator.

- Press RESET on the display screen, then press YES to confirm that you want to reset the indicator.

From the Home screen, you can view the power outage history for the refrigerator. Press OPTIONS, then OUTAGE.

Ice Maker and Storage Bin

IMPORTANT:

- Flush the water system before turning on the ice maker. See “Water and Ice Dispensers.”
- The ice maker and storage bin are located in the upper left-hand side of the refrigerator compartment.

Turning the Ice Maker On/Off

Your ice maker has an automatic shutoff. When the ice maker is on, sensors will automatically stop ice production when the storage bin is full. The ice maker will remain set to ON, and ice production will resume when the bin is no longer full.

To manually turn off the ice maker, press the ice maker icon or OPTIONS on the main display screen, then ICE MAKER. On the next screen, press ICE MAKER again to toggle between ON and OFF. When the ice maker is set to OFF, it will stop producing ice.

Removing and Replacing Ice Storage Bin

To Remove the Ice Storage Bin:

NOTE: It is not necessary to turn off the ice maker when removing the storage bin.

1. Pull the handle to unlock the ice storage bin.
2. Hold both sides of the ice storage bin, tilt the bin forward and lift slightly to remove.

To Replace the Ice Storage Bin:

IMPORTANT: The ice storage bin must be locked in place for proper ice dispensing.

1. Replace the ice storage bin on the door.
2. Pivot the bin so that it is firmly in place, and push back to assure that it is secure.

Ice Production Rate

- Allow 24 hours to produce the first batch of ice. Discard the first three batches of ice produced.
- The ice maker should produce approximately 40 batches of ice in a 24-hour period.
- To increase ice production, lower the freezer and refrigerator temperature. See “Using the Controls.” Wait 24 hours between adjustments.

Remember

- The quality of your ice will be only as good as the quality of the water supplied to your ice maker. Avoid connecting the ice maker to a softened water supply. Water softener chemicals (such as salt) can damage parts of the ice maker and lead to poor quality ice. If a softened water supply cannot be avoided, make sure the water softener is operating properly and is well maintained.
- Do not use anything sharp to break up the ice in the bin. This can cause damage to the ice bin and dispenser mechanism.
- Do not store anything on top of the ice maker or in the ice storage bin.

Water Filter Status Light

The water filter status light will help you know when to change your water filter. When the water filter status display changes from “NORMAL” to “ORDER,” this tells you that it is almost time to replace the water filter. Replace the disposable water filter when the water filter status display changes to “REPLACE.” The REPLACE (red) icon will blink and an alert beep will sound one time after water is dispensed.

If water flow to your water dispenser or ice maker decreases noticeably, change the filter sooner. The disposable water filter should be replaced at least every 6 months or more often depending on your water quality and usage. To change the filter, see “Water Filtration System.”

INDICATOR:	STATUS:
NORMAL (green)	New filter installed
ORDER (yellow)	Order filter
REPLACE (red) OR when water flow decreases	Replace water filter

After changing the water filter, reset the status light. On the display screen, press OPTIONS, then WATER FILTER, then RESET, then YES. The status light will change from REPLACE (red) to NORMAL (green) when the system is reset.

Water Filtration System

The water filter is located in the upper right-hand corner of the refrigerator compartment.

Do not use with water that is microbiologically unsafe or of unknown quality without adequate disinfection before or after the system. Systems certified for cyst reduction may be used on disinfected waters that may contain filterable cysts.

IMPORTANT: The disposable water filter should be replaced at least every 6 months. If the water flow to the water dispenser or ice maker decreases noticeably before 6 months have passed, replace the water filter more often.

Replacing the Water Filter

To purchase a replacement water filter, Part Number UKF8001AXX-200, contact your dealer or call **1-800-422-1230** in the U.S.A. or **1-800-807-6777** in Canada.

IMPORTANT: Air trapped in the water system may cause water and filter to eject. Always dispense water for at least 2 minutes before removing the filter or blue bypass cap.

1. To access the filter, press upward on the ribbed section of the water filter cover.
2. Turn filter counterclockwise to remove.
3. Remove sealing label from replacement filter and insert the filter end into the filter head.
4. Turn the filter clockwise until it stops. Snap the filter cover closed.
5. Flush the water system. See “Water and Ice Dispensers.”

NOTE: The dispenser feature may be used without a water filter installed. Your water will not be filtered. If this option is chosen, replace the filter with the blue bypass cap.

REFRIGERATOR CARE

Cleaning

WARNING



Explosion Hazard

Use nonflammable cleaner.

Failure to do so can result in death, explosion, or fire.

Both the refrigerator and freezer sections defrost automatically. However, clean both sections about once a month to avoid odor buildup. Wipe up spills immediately.

IMPORTANT:

- Because air circulates between both sections, any odors formed in one section will transfer to the other. You must thoroughly clean both sections to eliminate odors. To avoid odor transfer and drying out of food, wrap or cover foods tightly.
- Do not use abrasive or harsh cleaners such as window sprays, scouring cleansers, flammable fluids, cleaning waxes, concentrated detergents, nail polish remover, bleaches or cleansers containing petroleum products. Do not use paper towels, scouring pads, or other harsh cleaning tools that may scratch or damage the materials.

Clean the Interior

1. Unplug refrigerator or disconnect power.
2. Using a clean sponge or soft cloth and a mild detergent in warm water, hand wash, rinse, and dry removable parts and interior surfaces thoroughly.
3. Plug in refrigerator or reconnect power.

Clean the Touch Screen Display on the Dispenser Panel

1. Make sure the refrigerator is unplugged or the power is disconnected before wiping the screen, to avoid unintentionally changing the settings.
2. Mix a solution of mild detergent in warm water. Dampen a soft, lint-free cloth with the solution and gently wipe the screen.
NOTE: Do not spray or wipe liquids directly onto the screen, or over-saturate the cloth.
3. Plug in refrigerator or reconnect power.

Clean the Exterior Surfaces

1. Unplug refrigerator or disconnect power.
2. Using a clean sponge or soft cloth and a mild detergent in warm water, wash, rinse and thoroughly dry stainless steel and painted metal exteriors.
 - To keep your stainless steel refrigerator looking like new and to remove minor scuffs or marks, it is suggested that you use the manufacturer's approved Stainless Steel Cleaner and Polish, Part Number 4396920. To order the cleaner, call **1-800-422-1230** U.S.A. or **1-800-807-6777** Canada.

IMPORTANT: This cleaner is for stainless steel parts only!

Do not allow the Stainless Steel Cleaner and Polish to come into contact with any plastic parts such as the trim pieces, dispenser covers or door gaskets. If unintentional contact does occur, clean plastic part with a sponge and mild detergent in warm water. Dry thoroughly with a soft cloth.

3. Plug in refrigerator or reconnect power.

Clean the Condenser

There is no need for routine condenser cleaning in normal home operating environments. If the environment is particularly greasy or dusty, or there is significant pet traffic in the home, the condenser should be cleaned every 2 to 3 months to ensure maximum efficiency.

To clean the condenser:

1. Unplug refrigerator or disconnect power.
2. Remove the base grille.
3. Use a vacuum cleaner with a soft brush to clean the grille, the open areas behind the grille and the front surface area of the condenser.
4. Replace the base grille when finished.
5. Plug in refrigerator or reconnect power.

Changing the Light Bulb

NOTE: Not all appliance bulbs will fit your refrigerator. Be sure to replace the bulb with an appliance bulb of the same size, shape, and wattage (no greater than 40 watts).

- The dispenser lights are LEDs that cannot be changed.
- On some models, the interior lights are LEDs that cannot be changed.
- Some models may have LEDs in one compartment and an appliance bulb in another compartment.

To Replace an Appliance Bulb:

1. Unplug refrigerator or disconnect power.
2. Replace burned-out bulb(s) with appliance light bulb(s) no greater than 40 watts.
3. Plug in refrigerator or reconnect power.

TROUBLESHOOTING

First try the solutions suggested here or visit our website and reference FAQs (Frequently Asked Questions) to possibly avoid the cost of a service call.

In the U.S.A., www.kitchenaid.com In Canada, www.kitchenaid.ca

Refrigerator Operation

The refrigerator will not operate

⚠ WARNING



Electrical Shock Hazard

Plug into a grounded 3 prong outlet.

Do not remove ground prong.

Do not use an adapter.

Do not use an extension cord.

Failure to follow these instructions can result in death, fire, or electrical shock.

- **Power cord unplugged?** Plug into a grounded 3 prong outlet.
- **Is outlet working?** Plug in a lamp to see if the outlet is working.
- **Household fuse blown or circuit breaker tripped?** Replace the fuse or reset the circuit breaker. If the problem continues, call an electrician.
- **Are controls on?** Make sure the refrigerator controls are on. See "Using the Control(s)."
- **New installation?** Allow 24 hours following installation for the refrigerator to cool completely.
NOTE: Adjusting the temperature controls to coldest setting will not cool either compartment more quickly.

The motor seems to run too much

Your new refrigerator may run longer than your old one due to its high-efficiency compressor and fans. The unit may run even longer if the room is warm, a large food load is added, doors are opened often, or if the doors have been left open.

The refrigerator seems noisy

Refrigerator noise has been reduced over the years. Due to this reduction, you may hear intermittent noises from your new refrigerator that you did not notice from your old model. Below are listed some normal sounds with explanations.

- **Buzzing** - heard when the water valve opens to fill the ice maker
- **Pulsating** - fans/compressor adjusting to optimize performance
- **Hissing/Rattling** - flow of refrigerant, movement of water lines, or from items placed on top of the refrigerator
- **Sizzling/Gurgling** - water dripping on the heater during defrost cycle
- **Popping** - contraction/expansion of inside walls, especially during initial cool-down
- **Water running** - may be heard when ice melts during the defrost cycle and water runs into the drain pan
- **Creaking/Cracking** - occurs as ice is being ejected from the ice maker mold.

The doors will not close completely

- **Door blocked open?** Move food packages away from door.
- **Bin or shelf in the way?** Push bin or shelf back into the correct position.

The doors are difficult to open

⚠ WARNING



Explosion Hazard

Use nonflammable cleaner.

Failure to do so can result in death, explosion, or fire.

- **Gaskets dirty or sticky?** Clean gaskets and contact surfaces with mild soap and warm water. Rinse and dry with soft cloth.

Temperature and Moisture

Temperature is too warm

- **New installation?** Allow 24 hours following installation for the refrigerator to cool completely.
- **Door(s) opened often or left open?** Allows warm air to enter refrigerator. Minimize door openings and keep doors fully closed.
- **Large load of food added?** Allow several hours for refrigerator to return to normal temperature.
- **Controls set correctly for the surrounding conditions?** Adjust the controls a setting colder. Check temperature in 24 hours. See “Using the Control(s).”

Temperature is too cold in refrigerator

- **Refrigerator air vent blocked?** If the air vent located in the top, left, rear corner of the refrigerator compartment is blocked by items placed directly in front of it, the refrigerator will get too cold. Move items away from the air vent.
- **Ice storage bin in correct position?** See “Ice Maker and Ice Storage Bin.”
- **Controls set correctly for the surrounding conditions?** Adjust the controls a setting warmer. Check temperature in 24 hours. See “Using the Control(s).”

There is interior moisture buildup

NOTE: Some moisture buildup is normal.

- **Humid room?** Contributes to moisture buildup.
- **Door(s) opened often or left open?** Allows humid air to enter refrigerator. Minimize door openings and keep doors fully closed.

Ice and Water

The ice maker is not producing ice or not enough ice

- **Refrigerator connected to a water supply and the supply shutoff valve turned on?** Connect refrigerator to water supply and turn water shutoff valve fully open.
- **Kink in the water source line?** A kink in the line can reduce water flow. Straighten the water source line.
- **Ice maker turned on?** Make sure ice maker is on. See “Ice Maker and Ice Storage Bin.”
- **New installation?** Wait 24 hours after ice maker installation for ice production to begin. Wait 72 hours for full ice production.
- **Refrigerator door closed completely?** Close the door firmly. If it does not close completely, see “The doors will not close completely.”
- **Large amount of ice recently removed?** Allow 24 hours for ice maker to produce more ice.
- **Ice cube jammed in the ice maker ejector arm?** Remove ice from the ejector arm with a plastic utensil.
- **Water filter installed on the refrigerator?** Remove filter and operate ice maker. If ice volume improves, then the filter may be clogged or incorrectly installed. Replace filter or reinstall it correctly.
- **Reverse osmosis water filtration system connected to your cold water supply?** This can decrease water pressure. See “Water Supply Requirements.”

The ice cubes are hollow or small

NOTE: This is an indication of low water pressure.

- **Water shutoff valve not fully open?** Turn the water shutoff valve fully open.
- **Kink in the water source line?** A kink in the line can reduce water flow. Straighten the water source line.
- **Water filter installed on the refrigerator?** Remove filter and operate ice maker. If ice quality improves, then the filter may be clogged or incorrectly installed. Replace filter or reinstall it correctly.
- **Reverse osmosis water filtration system connected to your cold water supply?** This can decrease water pressure. See “Water Supply Requirements.”
- **Questions remain regarding water pressure?** Call a licensed, qualified plumber.

Off-taste, odor or gray color in the ice

- **New plumbing connections?** New plumbing connections can cause discolored or off-flavored ice.
- **Ice stored too long?** Discard ice. Wash ice bin. Allow 24 hours for ice maker to make new ice.
- **Odor transfer from food?** Use airtight, moisture proof packaging to store food.
- **Are there minerals (such as sulfur) in the water?** A water filter may need to be installed to remove the minerals.
- **Water filter installed on the refrigerator?** Gray or dark discoloration in ice indicates that the water filtration system needs additional flushing. Flush the water system before using a new water filter. Replace water filter when indicated. See “Water Filtration System.”

The water and ice dispenser will not operate properly

- **Refrigerator connected to a water supply and the supply shutoff valve turned on?** Connect refrigerator to water supply and turn water shutoff valve fully open.
- **Kink in the water source line?** Straighten the water source line.
- **New installation?** Flush and fill the water system. See “Water and Ice Dispensers.”
- **Is the water pressure at least 35 psi (241 kPa)?** The water pressure to the home determines the flow from the dispenser. See “Water Supply Requirements.”
- **Water filter installed on the refrigerator?** Remove filter and operate dispenser. If water flow increases, the filter may be clogged or incorrectly installed. Replace filter or reinstall it correctly.
- **Refrigerator door closed completely?** Close the door firmly. If it does not close completely, see “The doors will not close completely.”
- **Recently removed the doors?** Make sure the water dispenser wire/tube assembly has been properly reconnected at the top of the refrigerator door. See “Refrigerator Doors and Drawer.”
- **Reverse osmosis water filtration system connected to your cold water supply?** This can decrease water pressure. See “Water Supply Requirements.”

Water is leaking from the dispenser system

NOTE: One or two drops of water after dispensing is normal.

- **Glass not being held under the dispenser long enough?** Hold the glass under the dispenser 2 to 3 seconds after releasing the dispenser lever.
- **New installation?** Flush the water system. See “Water and Ice Dispensers.”
- **Recently changed water filter?** Flush the water system. See “Water and Ice Dispensers.”

Water from the dispenser is warm

NOTE: Water from the dispenser is only chilled to 50°F (10°C).

- **New installation?** Allow 24 hours after installation for the water supply to cool completely.
- **Recently dispensed large amount of water?** Allow 24 hours for water supply to cool completely.
- **Water not been recently dispensed?** The first glass of water may not be cool. Discard the first glass of water.
- **Refrigerator connected to a cold water pipe?** Make sure the refrigerator is connected to a cold water pipe. See “Water Supply Requirements.”

WATER FILTER CERTIFICATIONS

State of California
Department of Public Health
Water Treatment Device
Certificate Number
09-1979

Date Issued: May 8, 2009
Date Revised: 6/22/2010

<u>Trademark/Model Designation</u>	<u>Replacement Elements</u>
UKF8001AXX-200 Kenmore 46 9006-200	UKF8001 46 9006
Manufacturer: 3M Purification	
The water treatment device(s) listed on this certificate have met the testing requirements pursuant to Section 116830 of the Health and Safety Code for the following health related contaminants:	
<u>Microbiological Contaminants and Turbidity</u>	<u>Inorganic/Radiological Contaminants</u>
Cysts Turbidity	Asbestos Lead Mercury
<u>Organic Contaminants</u>	<u>More Organic Contaminants</u>
Atrazine Benzene Carbofuran Chlorobenzene Endrin Ethylbenzene Lindane	o-dichlorobenzene p-dichlorobenzene Tetrachloroethylene Toxaphene 2,4-D

Rated Service Capacity: 200 gal

Rated Service Flow: 0.55 gpm

Conditions of Certification:

Do not use where water is microbiologically unsafe or with water of unknown quality, except that systems certified for cyst reduction may be used on disinfected waters that may contain filterable cysts.

PERFORMANCE DATA SHEET

Interior Water Filtration System Model UKF8001AXX-200 Capacity 200 Gallons (757 Liters)



System tested and certified by NSF International against NSF/ANSI Standard 42 for the reduction of Chlorine Taste and Odor, Particulate Class I*; and against NSF/ANSI Standard 53 for the reduction of Lead, Mercury, Atrazine, Benzene, p-Dichlorobenzene, Carbofuran, Toxaphene, Cysts, Turbidity, Asbestos, O-Dichlorobenzene, Ethylbenzene, Chlorobenzene, Endrin, Tetrachloroethylene and Lindane.

This system has been tested according to NSF/ANSI Standards 42 and 53 for the reduction of the substances listed below. The concentration of the indicated substances in water entering the system was reduced to a concentration less than or equal to the permissible limit for water leaving the system, as specified in NSF/ANSI Standards 42 and 53.

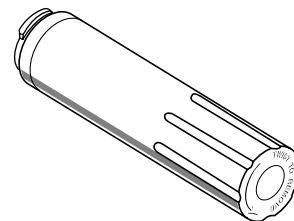
Substance Reduction Aesthetic Effects	NSF Reduction Requirements	Average Influent	Influent Challenge Concentration	Maximum Effluent	Average Effluent	Minimum% Reduction	Average% Reduction
Chlorine Taste/Odor Particulate Class I*	50% reduction 85% reduction	2.00 mg/L 14,000,000 #/mL	2.0 mg/L ± 10% At least 10,000 particles/mL	0.06 mg/L 370,000 #/mL**	0.050625 mg/L 196,666 #/mL	97.00% 97.40%	97.52% 99.00%
Contaminant Reduction	NSF Reduction Requirements	Average Influent	Influent Challenge Concentration	Maximum Effluent	Average Effluent	Minimum% Reduction	Average% Reduction
Lead: @ pH 6.5 Lead: @ pH 8.5	0.010 mg/L 0.010 mg/L	0.150 mg/L [†] 0.150 mg/L [†]	0.15 mg/L ± 10% 0.15 mg/L ± 10%	< 0.001 mg/L < 0.001 mg/L	< 0.001 mg/L < 0.001 mg/L	>99.30% >99.30%	>99.30% >99.30%
Mercury: @ pH 6.5 Mercury: @ pH 8.5	0.002 mg/L 0.002 mg/L	0.006 mg/L 0.0059 mg/L	0.006 mg/L ± 10% 0.006 mg/L ± 10%	0.0005 mg/L 0.0018 mg/L	0.0003 mg/L 0.00073 mg/L	91.70% 69.20%	95.00% 88.10%
Benzene	0.005 mg/L	0.0133 mg/L	0.015 mg/L ± 10%	0.0005 mg/L	0.0005 mg/L	96.10%	96.30%
p-Dichlorobenzene	0.075 mg/L	0.210 mg/L	0.225 mg/L ± 10%	< 0.0005 mg/L	< 0.0005 mg/L	>99.80%	>99.80%
Carbofuran	0.040 mg/L	0.0753 mg/L	0.08 mg/L ± 10%	0.027 mg/L	0.008 mg/L	64.60%	73.45%
Toxaphene	0.003 mg/L	0.015 mg/L	0.015 ± 10%	< 0.001 mg/L	< 0.001 mg/L	>93.3%	>93.3%
Atrazine	0.003 mg/L	0.0102 mg/L	0.009 mg/L ± 10%	0.0027 mg/L	0.00105 mg/L	76.30%	89.40%
Asbestos	>99%	126.5 MF/L	10 ⁷ to 10 ⁸ fibers/L ^{††}	< 0.17 MF/L	< 0.17 MF/L	>99.99%	>99.99%
Live Cysts [‡] Turbidity	>99.95% 0.5 NTU	122,500 #/L 10.5 NTU	50,000/L min. 11 ± 1 NTU	< 1 #/L [‡] 0.30 NTU	< 1 #/L [‡] 0.125 NTU	>99.99% 97.30%	>99.99% 98.80%
Lindane	0.0002 mg/L	0.0019 mg/L	0.002 ± 10%	< 0.00016 mg/L	0.000035 mg/L	91.80%	97.90%
Tetrachloroethylene	0.005 mg/L	0.015 mg/L	0.015 mg/L ± 10%	< 0.0005 mg/L	< 0.0005 mg/L	>96.6%	>96.6%
O-Dichlorobenzene	0.6 mg/L	1.7 mg/L	1.8 mg/L ± 10%	< 0.5 mg/L	< 0.5 mg/L	>99.9%	>99.9%
Ethylbenzene	0.7 mg/L	2.2 mg/L	2.1 mg/L ± 10%	0.0048 mg/L	0.11 mg/L	99.80%	99.90%
Chlorobenzene	0.1 mg/L	2.0 mg/L	2.0 mg/L ± 10%	0.0038 mg/L	0.0008 mg/L	99.80%	99.90%
Endrin	0.002 mg/L	0.007 mg/L	0.006 mg/L ± 10%	0.0004 mg/L	0.0002 mg/L	94.30%	96.80%

Test Parameters: pH = 7.5 ± 0.5 unless otherwise noted. Flow = 0.55 gpm (2.08 Lpm). Pressure = 60 psig (413.7 kPa). Temp. = 68°F ± 5°F (20°C ± 3°C).

- It is essential that operational, maintenance, and filter replacement requirements be carried out for the product to perform as advertised.
- The disposable water filter should be replaced at least every 6 months.
- The filter monitor system measures the amount of water that passes through the filter and alerts you to replace the filter. When 90% of the filter's rated life is used, the yellow (Order) light comes on. When 100% of the filter's rated life is used, the red (Replace) light comes on, and it is recommended that you replace the filter. For models without filter status lights, replace the filter every 6 months. Use replacement filter model UKF8001AXX-200. 2010 suggested retail price of \$44.99 U.S.A./\$49.95 Canada. Prices are subject to change without notice.
- The product is for cold water use only.
- Do not use with water that is microbiologically unsafe or of unknown quality without adequate disinfection before or after the system. Systems certified for cyst reduction may be used on disinfected waters that may contain filterable cysts.
- Refer to the "Water Filtration System" section for the Manufacturer's name and telephone number.
- Refer to the "Warranty" section for the Manufacturer's limited warranty.

Application Guidelines/Water Supply Parameters

Water Supply	City or Well
Water Pressure	35 - 120 psi (241 - 827 kPa)
Water Temperature	33° - 100°F (1° - 38°C)
Service Flow Rate	0.55 gpm (2.08 L/min.) @ 60 psi



*Class I particle size: >0.5 to <1 um

**Test requirement is at least 100,000 particles/mL of AC Fine Test Dust.

[†]These contaminants are not necessarily in your water supply. Performance may vary based on local water conditions.

^{††}Fibers greater than 10 um in length

[‡]Based on the use of Cryptosporidium parvum oocysts

® NSF is a registered trademark of NSF International.

KITCHENAID® REFRIGERATOR WARRANTY

LIMITED WARRANTY

For one year from the date of purchase, when this major appliance is operated and maintained according to instructions attached to or furnished with the product, KitchenAid brand of Whirlpool Corporation or Whirlpool Canada LP (hereafter "KitchenAid") will pay for factory specified parts and repair labor to correct defects in materials or workmanship that existed when this major appliance was purchased. Service must be provided by a KitchenAid designated service company. YOUR SOLE AND EXCLUSIVE REMEDY UNDER THIS LIMITED WARRANTY SHALL BE PRODUCT REPAIR AS PROVIDED HEREIN. This limited warranty is valid only in the United States or Canada and applies only when the major appliance is used in the country in which it was purchased. Proof of original purchase date is required to obtain service under this limited warranty.

On models with a water filter: 30 day limited warranty on water filter. For 30 days from the date of purchase, when this filter is operated and maintained according to instructions attached to or furnished with the product, KitchenAid will pay for a replacement water filter to correct defects in materials and workmanship.

SECOND THROUGH FIFTH YEAR LIMITED WARRANTY ON CAVITY LINER AND SEALED REFRIGERATION SYSTEM

In the second through fifth year from the date of purchase, when this major appliance is operated and maintained according to instructions attached to or furnished with the product, KitchenAid will pay for replacement or repair of the refrigerator/freezer cavity liner (including labor costs) if the part cracks due to defective materials or workmanship that existed when this major appliance was purchased. Also, in the second through fifth year from the date of purchase, when this major appliance is operated and maintained according to instructions attached to or furnished with the product, KitchenAid will pay for factory specified parts and repair labor for the following components to correct defects in materials or workmanship in the sealed refrigeration system that existed when this major appliance was purchased: compressor, evaporator, condenser, dryer, and connecting tubing.

SIXTH THROUGH TENTH YEAR LIMITED WARRANTY ON SEALED REFRIGERATION SYSTEM

In the sixth through tenth year from the date of purchase, when this major appliance is operated and maintained according to instructions attached to or furnished with the product, KitchenAid will pay for factory specified parts for the following components to correct defects in materials or workmanship in the sealed refrigeration system that existed when this major appliance was purchased: compressor, evaporator, condenser, dryer, and connecting tubing.

ITEMS EXCLUDED FROM WARRANTY

This limited warranty does not cover:

1. Replacement parts or repair labor if this major appliance is used for other than normal, single-family household use or when it is used in a manner that is inconsistent to published user or operator instructions and/or installation instructions.
 2. Service calls to correct the installation of your major appliance, to instruct you on how to use your major appliance, to replace or repair house fuses, or to correct house wiring or plumbing.
 3. Service calls to repair or replace appliance light bulbs, air filters or water filters. Consumable parts are excluded from warranty coverage.
 4. Damage resulting from accident, alteration, misuse, abuse, fire, flood, acts of God, improper installation, installation not in accordance with electrical or plumbing codes, or use of products not approved by KitchenAid.
 5. Cosmetic damage, including scratches, dents, chips or other damage to the finish of your major appliance, unless such damage results from defects in materials or workmanship and is reported to KitchenAid within 30 days from the date of purchase.
 6. Any food or medicine loss due to refrigerator or freezer product failures.
 7. Pickup and delivery. This major appliance is intended to be repaired in your home.
 8. Repairs to parts or systems resulting from unauthorized modifications made to the appliance.
 9. Expenses for travel and transportation for product service if your major appliance is located in a remote area where service by an authorized KitchenAid servicer is not available.
 10. The removal and reinstallation of your major appliance if it is installed in an inaccessible location or is not installed in accordance with KitchenAid's published installation instructions.
 11. Replacement parts or repair labor on major appliances with original model/serial numbers that have been removed, altered or cannot be easily determined.
-

DISCLAIMER OF IMPLIED WARRANTIES

IMPLIED WARRANTIES, INCLUDING ANY IMPLIED WARRANTY OF MERCHANTABILITY OR IMPLIED WARRANTY OF FITNESS FOR A PARTICULAR PURPOSE, ARE LIMITED TO ONE YEAR OR THE SHORTEST PERIOD ALLOWED BY LAW. Some states and provinces do not allow limitations on the duration of implied warranties of merchantability or fitness, so this limitation may not apply to you. This warranty gives you specific legal rights, and you also may have other rights that vary from state to state or province to province.

LIMITATION OF REMEDIES; EXCLUSION OF INCIDENTAL AND CONSEQUENTIAL DAMAGES

YOUR SOLE AND EXCLUSIVE REMEDY UNDER THIS LIMITED WARRANTY SHALL BE PRODUCT REPAIR AS PROVIDED HEREIN. KITCHENAID SHALL NOT BE LIABLE FOR INCIDENTAL OR CONSEQUENTIAL DAMAGES. Some states and provinces do not allow the exclusion or limitation of incidental or consequential damages, so these limitations and exclusions may not apply to you. This warranty gives you specific legal rights, and you also may have other rights that vary from state to state or province to province.

If outside the 50 United States and Canada, contact your authorized KitchenAid dealer to determine if another warranty applies.

6/08

For additional product information, in the U.S.A., visit www.kitchenaid.com In Canada, visit www.kitchenaid.ca

If you do not have access to the Internet and you need assistance using your product or you would like to schedule service, you may contact KitchenAid at the number below.

Have your complete model number ready. You can find your model number and serial number on the label, located on the inside wall of the refrigerator compartment.

For assistance or service in the U.S.A., call 1-800-422-1230. In Canada, call 1-800-807-6777.

If you need further assistance, you can write to KitchenAid with any questions or concerns at the address below:

In the U.S.A.:

KitchenAid Brand Home Appliances
Customer eXperience Center
553 Benson Road
Benton Harbor, MI 49022-2692

In Canada:

KitchenAid Brand Home Appliances
Customer eXperience Centre
200 – 6750 Century Ave.
Mississauga, Ontario L5N 0B7

Please include a daytime phone number in your correspondence.

Please keep these User Instructions and the model number information for future reference.

INSTRUCTIONS D'UTILISATION DU RÉFRIGÉRATEUR

Nous vous REMERCIONS d'avoir acheté ce produit de haute qualité. Si vous rencontrez un problème non mentionné dans la section DÉPANNAGE, veuillez visiter notre site Web www.kitchenaid.com pour des informations supplémentaires. Si vous avez toujours besoin d'assistance, veuillez nous téléphoner au 1-800-422-1230. Au Canada, visitez notre site Web www.kitchenaid.ca ou téléphonez-nous au 1-800-807-6777.

Vous aurez besoin de vos numéros de modèle et de série situés sur la paroi interne du compartiment de réfrigération.

SÉCURITÉ DU RÉFRIGÉRATEUR

Votre sécurité et celle des autres est très importante.

Nous donnons de nombreux messages de sécurité importants dans ce manuel et sur votre appareil ménager. Assurez-vous de toujours lire tous les messages de sécurité et de vous y conformer.



Voici le symbole d'alerte de sécurité.

Ce symbole d'alerte de sécurité vous signale les dangers potentiels de décès et de blessures graves à vous et à d'autres.

Tous les messages de sécurité suivront le symbole d'alerte de sécurité et le mot "DANGER" ou "AVERTISSEMENT". Ces mots signifient :

⚠ DANGER

Risque possible de décès ou de blessure grave si vous ne suivez pas immédiatement les instructions.

⚠ AVERTISSEMENT

Risque possible de décès ou de blessure grave si vous ne suivez pas les instructions.

Tous les messages de sécurité vous diront quel est le danger potentiel et vous disent comment réduire le risque de blessure et ce qui peut se produire en cas de non-respect des instructions.

IMPORTANTES INSTRUCTIONS DE SÉCURITÉ

AVERTISSEMENT : Pour réduire les risques d'incendie, de choc électrique ou des blessures lors de l'utilisation du réfrigérateur, prendre quelques précautions fondamentales, y compris les suivantes :

- Brancher l'appareil sur une prise à 3 alvéoles reliée à la terre.
- Ne pas enlever la broche de liaison à la terre.
- Ne pas utiliser un adaptateur.
- Ne pas utiliser un câble de rallonge.
- Débrancher la source de courant électrique avant l'entretien.
- Replacer pièces et panneaux avant de faire la remise en marche.
- Enlever les portes de votre vieux réfrigérateur.
- Utiliser un produit de nettoyage ininflammable.
- Garder les matériaux et les vapeurs inflammables, telle que l'essence, loin du réfrigérateur.
- Utiliser deux ou plus de personnes pour déplacer et installer le réfrigérateur.
- Débrancher le réfrigérateur avant l'installation de la machine à glaçons (seulement pour modèles prêts à recevoir une machine à glaçons).
- Utiliser un verre robuste pour prendre des glaçons (sur certains modèles).
- Ne pas heurter les portes en verre du réfrigérateur (sur certains modèles).

CONSERVEZ CES INSTRUCTIONS

Mise au rebut de votre vieux réfrigérateur

⚠ AVERTISSEMENT

Risque de suffoquer

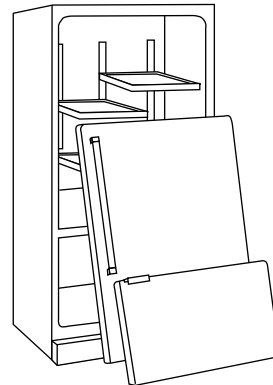
Enlever les portes de votre vieux réfrigérateur.

Le non-respect de cette instruction peut causer un décès ou des lésions cérébrales.

IMPORTANT : L'emprisonnement et l'étouffement des enfants ne sont pas un problème du passé. Les réfrigérateurs jetés ou abandonnés sont encore dangereux, même s'ils sont laissés abandonnés pendant "quelques jours seulement". Si vous vous débarrassez de votre vieux réfrigérateur, veuillez suivre les instructions suivantes pour aider à éviter les accidents.

Avant de jeter votre vieux réfrigérateur ou congélateur :

- Enlever les portes.
- Laisser les tablettes en place de sorte que les enfants ne puissent pas y pénétrer facilement.



INSTRUCTIONS D'INSTALLATION

Déballage du réfrigérateur

⚠ AVERTISSEMENT

Risque du poids excessif

Utiliser deux ou plus de personnes pour déplacer et installer le réfrigérateur.

Le non-respect de cette instruction peut causer une blessure au dos ou d'autre blessure.

Importants renseignements à savoir au sujet des tablettes et des couvercles en verre :

Ne pas nettoyer les tablettes ou couvercles en verre avec de l'eau tiède quand ils sont froids. Les tablettes et les couvercles peuvent se briser s'ils sont exposés à des changements soudains de température ou à un impact tel que coup brusque. Le verre trempé est conçu pour éclater en d'innombrables pièces minuscules. Ceci est normal. Les tablettes et les couvercles en verre sont lourds. Les saisir à deux mains lors de leur dépose afin d'éviter de les faire tomber.

Enlèvement des matériaux d'emballage

- Enlever tout résidu de ruban adhésif et de colle des surfaces du réfrigérateur avant de le mettre en marche. Frotter une petite quantité de savon liquide pour la vaisselle sur l'adhésif avec les doigts. Rincer à l'eau tiède et essuyer.
- Ne pas utiliser d'instruments coupants, d'alcool à friction, de liquides inflammables ou de nettoyants abrasifs pour enlever le ruban adhésif ou la colle. Ces produits peuvent endommager la surface de votre réfrigérateur. Pour plus de renseignements, voir "Sécurité du réfrigérateur".
- Jeter ou recycler tous les matériaux d'emballage.

Déplacement de votre réfrigérateur :

Votre réfrigérateur est lourd. Lors du déplacement de votre réfrigérateur pour le nettoyage ou un entretien ou réparation, veiller à recouvrir le plancher avec du carton ou un panneau de fibres dures pour éviter qu'il ne subisse tout dommage. Toujours tirer le réfrigérateur tout droit lors de son déplacement. Ne pas incliner le réfrigérateur d'un côté ou de l'autre ni le "faire marcher" en essayant de le déplacer car le plancher pourrait être endommagé.

Exigences d'emplacement

⚠ AVERTISSEMENT



Risque d'explosion

Garder les matériaux et les vapeurs inflammables, telle que l'essence, loin du réfrigérateur.

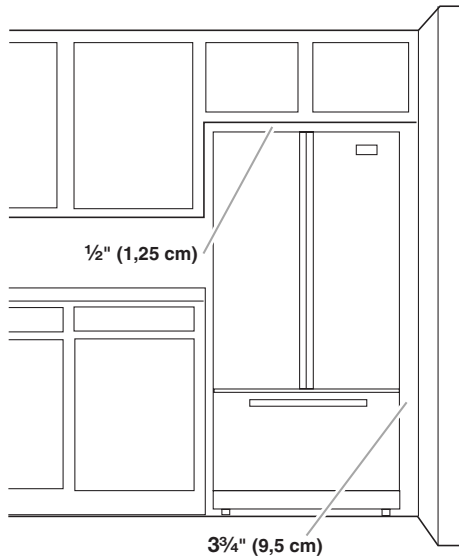
Le non-respect de cette instruction peut causer un décès, une explosion ou un incendie.

Pour assurer une ventilation convenable à votre réfrigérateur, laisser un espace de 1/2" (1,25 cm) au-dessus et de chaque côté du réfrigérateur. Laisser un espace de 1" (2,54 cm) derrière le réfrigérateur. Si votre réfrigérateur comporte une machine à glaçons, s'assurer qu'un espace additionnel est prévu à l'arrière pour permettre les connexions des conduites d'eau. En cas d'installation du réfrigérateur près d'un mur fixe, laisser un minimum de 3/4" (9,5 cm) entre le réfrigérateur et le mur pour permettre l'ouverture de la porte.

Nettoyage avant l'utilisation

Après avoir enlevé tous les matériaux d'emballage, nettoyer l'intérieur du réfrigérateur avant de l'utiliser. Voir les instructions de nettoyage dans "Entretien du réfrigérateur".

REMARQUE : Il est recommandé de ne pas installer le réfrigérateur près d'un four, d'un radiateur ou de toute autre source de chaleur. Ne pas installer le réfrigérateur dans un endroit où la température baissera au-dessous de 55°F (13°C).



Spécifications électriques

⚠ AVERTISSEMENT



Risque de choc électrique

- Brancher sur une prise à 3 alvéoles reliée à la terre.**
- Ne pas enlever la broche de liaison à la terre.**
- Ne pas utiliser un adaptateur.**
- Ne pas utiliser un câble de rallonge.**
- Le non-respect de ces instructions peut causer un décès, un incendie ou un choc électrique.**

Avant de placer le réfrigérateur à son emplacement final, il est important de vous assurer d'avoir la connexion électrique appropriée.

Méthode recommandée de mise à la terre

Une source d'alimentation de 115 volts, 60 Hz, type 15 ou 20 ampères CA seulement, protégée par fusibles et adéquatement mise à la terre est nécessaire. Il est recommandé d'utiliser un circuit distinct pour alimenter uniquement votre réfrigérateur. Utiliser une prise murale qui ne peut pas être mise hors circuit à l'aide d'un commutateur. Ne pas utiliser de câble de rallonge.

REMARQUE : Avant d'exécuter tout type d'installation, nettoyage ou remplacement d'une ampoule d'éclairage, désactiver le refroidissement (mettre la commande Cooling (refroidissement) en position OFF [arrêt]), et déconnecter ensuite le réfrigérateur de la source d'alimentation électrique. Lorsque vous avez terminé, reconnecter le réfrigérateur à la source d'alimentation électrique et réactiver le refroidissement (mettre la commande Cooling en position ON [marche]). Voir "Utilisation des commandes".

Spécifications de l'alimentation en eau

Rassembler les outils et pièces nécessaires avant de commencer l'installation. Lire et suivre les instructions fournies avec les outils indiqués ci-dessous.

OUTILLAGE REQUIS :

- Tournevis à lame plate
- Clés plates de 7/16" et 1/2" ou deux clés à molette réglables
- Tourne-écrou de 1/4"
- Foret de 1/4"
- Perceuse sans fil

IMPORTANT :

- Toutes les installations doivent être conformes aux exigences des codes locaux de plomberie.
- Ne pas employer de robinet d'arrêt à étrier de 3/16" (4,76 mm) ou de type à percer, ce qui réduit le débit d'eau et cause une obstruction plus facilement.
- Utiliser un tube en cuivre et vérifier l'absence de fuites. Installer les tubes en cuivre seulement à des endroits où la température se maintient au-dessus du point de congélation.
- Pour les modèles avec filtre à eau, le filtre à eau jetable devrait être remplacé au moins tous les 6 mois.

Pression de l'eau

Une alimentation en eau froide avec une pression entre 35 et 120 lb/po² (241 et 827 kPa) est nécessaire pour faire fonctionner le distributeur d'eau et la machine à glaçons. Si vous avez des questions au sujet de la pression de votre eau, appeler un plombier qualifié agréé.

Alimentation en eau par osmose inverse

IMPORTANT : La pression de l'alimentation en eau entre le système d'osmose inverse et la valve d'arrivée d'eau du réfrigérateur doit être entre 35 et 120 lb/po² (241 et 827 kPa).

Si un système de purification de l'eau par osmose inverse est raccordé à votre alimentation en eau froide, la pression de l'eau au système doit être d'un minimum de 40 à 60 lb/po² (276 à 414 kPa).

Si la pression de l'eau au système d'osmose inverse est inférieure à 40 à 60 lb/po² (276 à 414 kPa) :

- Vérifier pour voir si le filtre à sédiment du système d'osmose inverse est bloqué et le remplacer si nécessaire.
- Laisser le réservoir du système d'osmose inverse se remplir après une utilisation intense.
- Si votre réfrigérateur a un filtre à eau, celui-ci peut réduire encore plus la pression de l'eau lorsqu'il est utilisé avec un système d'osmose inverse. Retirer le filtre à eau. Voir "Système de filtration de l'eau".

Si vous avez des questions au sujet de la pression de votre eau, appelez un plombier qualifié agréé.

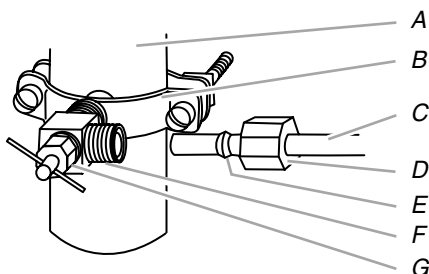
Raccordement de la canalisation d'eau

Lire toutes les instructions avant de commencer.

IMPORTANT : Si on doit utiliser le réfrigérateur avant qu'il soit raccordé à la canalisation d'eau, placer la commande de la machine à glaçons à la position OFF (arrêt).

Raccordement à une canalisation d'eau

1. Débrancher le réfrigérateur ou déconnecter la source de courant électrique.
2. FERMER le robinet principal d'arrivée d'eau. OUVRIR le robinet de puisage le plus proche pendant une période suffisante pour que la canalisation d'eau se vide.
3. Trouver une canalisation d'eau froide verticale de 1/2" à 1 1/4" (12,7 mm à 31,8 mm) près du réfrigérateur.
IMPORTANT :
 - S'assurer qu'il s'agit d'un conduit d'eau froide.
 - Un conduit horizontal fonctionnera, mais le procédé suivant doit être suivi : percer par le dessus de la canalisation et non pas par le dessous. Ainsi, l'eau ne risquera pas d'arroser la perceuse. Ceci empêche également les sédiments qu'on trouve normalement dans l'eau de s'accumuler dans le robinet.
4. Pour déterminer la longueur du tube en cuivre, il faut mesurer la distance entre le point de connexion au bas du côté arrière droit du réfrigérateur et le tuyau d'arrivée d'eau. Ajouter une longueur de 7 pi (2,1 m) pour permettre le déplacement du réfrigérateur pour le nettoyage. Utiliser un tube en cuivre de 1/4" (6,35 mm) de diamètre extérieur. Veiller à ce que le tube soit coupé d'équerre aux deux extrémités.
5. À l'aide d'une perceuse sans fil, percer un trou de 1/4" dans la canalisation d'eau froide choisie.

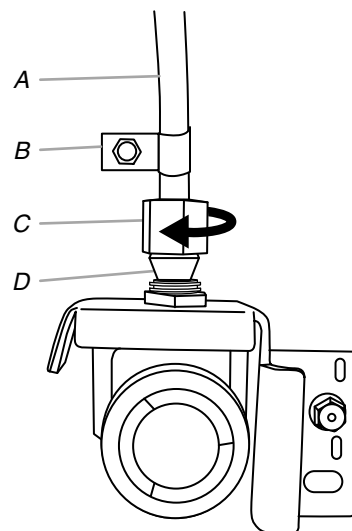


- | | |
|------------------------------|-------------------------|
| A. Canalisation d'eau froide | E. Bague de compression |
| B. Bride de tuyau | F. Robinet d'arrêt |
| C. Tube en cuivre | G. Écrou de serrage |
| D. Écrou de compression | |

6. Fixer le robinet d'arrêt sur la canalisation d'eau froide avec la bride de tuyau. Vérifier que le raccord du robinet est bien engagé dans le trou de 1/4" percé dans la canalisation et que la rondelle d'étanchéité est placée sous la bride de tuyau. Serrer l'écrou de serrage. Serrer lentement et uniformément les vis de la bride de tuyau afin que la rondelle forme une jonction étanche. Ne pas serrer excessivement.
7. Enfiler l'écrou et la bague de compression du raccord sur le tube en cuivre comme on le voit sur l'illustration. Insérer l'extrémité du tube aussi loin que possible dans l'ouverture de sortie du robinet. Visser l'écrou de compression sur le raccord de sortie avec une clé à molette. Ne pas serrer excessivement car ceci pourrait provoquer l'écrasement du tube en cuivre.
8. Placer le bout libre du tube dans un contenant ou évier et OUVRIR le robinet principal d'arrivée d'eau et laisser l'eau s'écouler par le tube jusqu'à ce que l'eau soit limpide. FERMER le robinet principal d'arrivée d'eau.

Raccordement au réfrigérateur

1. Enlever le capuchon de plastique du robinet d'arrivée d'eau. Connecter le tube en cuivre au robinet d'eau en utilisant un écrou et une bague de compression tel qu'illustré. Serrer l'écrou de compression. Ne pas serrer excessivement. Vérifier que le tube en cuivre est fixé solidement en tirant sur le tube en cuivre.
2. Créer une boucle de service avec le tube de cuivre. Éviter les déformations en pliant le tube de cuivre. Fixer le tube en cuivre à la caisse du réfrigérateur avec une bride en "P".



- | | |
|-------------------|-------------------------|
| A. Tube en cuivre | C. Écrou de compression |
| B. Bride en "P" | D. Bague de compression |

3. Ouvrir l'arrivée d'eau au réfrigérateur et vérifier s'il y a des fuites. Corriger toute fuite.

Achever l'installation

⚠ AVERTISSEMENT



Risque de choc électrique

- Brancher sur une prise à 3 alvéoles reliée à la terre.
- Ne pas enlever la broche de liaison à la terre.
- Ne pas utiliser un adaptateur.
- Ne pas utiliser un câble de rallonge.
- Le non-respect de ces instructions peut causer un décès, un incendie ou un choc électrique.

1. Brancher sur une prise à 3 alvéoles reliée à la terre.

REMARQUE : Prévoir un délai de 24 heures pour la production du premier lot de glaçons. Jeter les trois premiers lots de glaçons produits. Prévoir un délai de 3 jours pour le remplissage complet du récipient à glaçons.

Portes et tiroir du réfrigérateur

Les illustrations sont incluses plus loin dans cette section, après "Étapes finales".

Enlèvement et réinstallation des poignées

1. À l'aide d'une clé à tête hexagonale de $\frac{3}{32}$ " ou $\frac{1}{8}$ ", desserrer les deux vis de retenue situées sur le côté de chaque poignée. Voir les illustrations de la poignée en métal 1 et 2.
2. Tirer sur la poignée tout droit pour la sortir de la porte. S'assurer de garder les vis pour réinstaller les poignées.
3. Pour réinstaller les poignées, suivre les instructions dans l'ordre inverse.

Enlèvement des portes et des charnières

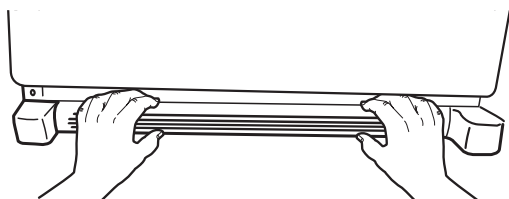
IMPORTANT :

- Retirer les aliments et tout balconnet ou compartiment utilitaire des portes.
- Laisser les portes du réfrigérateur fermées jusqu'à ce vous soyez prêt à les soulever de la caisse.

REMARQUE : Prévoir un support additionnel des portes pendant la réinstallation des charnières. La force d'attraction des aimants des portes ne suffit pas à les maintenir en place.

OUTILLAGE REQUIS : Clés à douille à tête hexagonale de $\frac{5}{16}$ ", $\frac{3}{8}$ " et $\frac{1}{4}$ ", tournevis Torx® T20, tournevis Phillips n° 2 et tournevis à tête plate.

1. Débrancher le réfrigérateur ou déconnecter la source de courant électrique.
2. Retirer la grille de la base. Maintenir la grille fermement et la tirer vers soi.



3. En commençant par la porte située du côté droit, ôter les pièces de la charnière supérieure – voir l'illustration de la charnière supérieure. Soulever la porte du réfrigérateur de l'axe de la charnière inférieure.
4. Ôter le capuchon de l'axe de la charnière inférieure et le conserver pour utilisation ultérieure. Voir l'illustration de la charnière inférieure.
5. Enlever le cache de la charnière supérieure du côté gauche de la porte du réfrigérateur.
6. Retirer le panneau de façade de l'avant de la partie supérieure du placard. Retirer la vis située sur la partie arrière du centre du panneau de façade, puis faire glisser le panneau de façade vers l'avant et le dégager de dessous la charnière.
7. Déconnecter la fiche de branchement située sur la partie supérieure de la charnière en coinçant un tournevis à lame plate ou votre ongle entre les deux sections.

8. Déconnecter la canalisation d'eau en tirant le collet de blocage vers l'arrière tout en tirant sur la canalisation pour la dégager du conduit de raccordement.
9. Enlever les pièces de la charnière supérieure - voir l'illustration de la charnière supérieure. Soulever la porte située du côté gauche de l'axe de la charnière inférieure.
REMARQUE : Sur certains modèles, ôter le capuchon de l'axe de la charnière inférieure et la conserver pour utilisation ultérieure. Voir l'illustration de la charnière inférieure.
10. À l'aide d'une clé à tête hexagonale de $\frac{3}{8}$ ", retirer les brides des pieds de nivellement du bas de la caisse. Conserver les vis pour utilisation ultérieure.

Réinstallation des portes et des charnières

1. Assembler les pièces des charnières supérieures. Voir l'illustration de la charnière supérieure. Ne pas complètement serrer les vis.
2. Replacer les pièces de la charnière inférieure. Voir l'illustration de la charnière inférieure. Serrer les vis. Replacer la porte du réfrigérateur.
REMARQUE : Prévoir un support additionnel des portes pendant la réinstallation des charnières. La force d'attraction des aimants des portes ne suffit pas à les maintenir en place.
3. Aligner correctement la porte au niveau du bas de la porte du compartiment de réfrigération et du sommet du tiroir du compartiment de congélation. Serrer toutes les vis.
4. Reconnecter la fiche de branchement sur la partie supérieure de la porte située du côté gauche du réfrigérateur.
5. Reconnecter la canalisation d'eau en tirant l'anneau du collet de blocage vers l'arrière tout en enfonçant fermement la canalisation d'eau dans le conduit de raccordement.
6. Vérifier qu'il n'y a pas de fuites. Réinstaller le panneau de façade et les couvre-charnières supérieurs.

Retirer et réinstaller le tiroir du congélateur

IMPORTANT : Deux personnes peuvent être nécessaires pour retirer et réinstaller le tiroir de congélation. Les illustrations sont incluses plus loin dans cette section.

Enlèvement de la façade du tiroir

1. Ouvrir le tiroir de congélation complètement.
2. Desserrer les quatre vis fixant les glissières du tiroir à la façade du tiroir. Voir l'illustration de dépose de la façade du tiroir.

REMARQUE : Desserrer les vis en appliquant trois à quatre tours. Laisser les vis sur la façade du tiroir.

3. Soulever la façade du tiroir et la dégager des vis. Voir l'illustration de dépose de la façade du tiroir.

Réinstallation de la façade du tiroir

1. Tirer les glissières du tiroir hors du compartiment de congélation. Insérer les vis au sommet de la façade du tiroir dans les trous situés sur les brides du tiroir. Voir l'illustration de réinstallation de la façade du tiroir.
2. Tirer les brides du tiroir vers soi pour placer les deux vis au bas de la façade du tiroir dans les brides. Voir l'illustration de réinstallation de la façade du tiroir.
3. Serrer complètement les quatre vis.

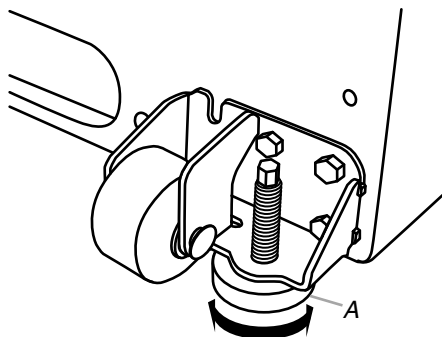
Ajustement des portes

Deux vis de pied de réglage sont situées à la base du réfrigérateur. Si votre réfrigérateur semble instable ou si vous désirez que la porte se ferme plus facilement, observer les instructions ci-dessous.

1. À l'aide d'un tournevis à tête hexagonale de 1/4", tourner la vis de réglage de l'aplomb pour soulever et abaisser chaque côté du réfrigérateur.

REMARQUE : Si une autre personne pousse le haut du réfrigérateur, le poids devient moins lourd sur la vis de réglage de l'aplomb, ce qui rend plus facile l'ajustement des vis. Il peut être nécessaire de tourner la vis de réglage de l'aplomb de plusieurs tours pour ajuster l'inclinaison du réfrigérateur.

- Pour soulever, tourner la vis de réglage de l'aplomb dans le sens horaire.
- Pour abaisser, tourner la vis de réglage de l'aplomb dans le sens antihoraire.



A. Vis de réglage de l'aplomb

2. Ouvrir de nouveau la porte et s'assurer qu'elle ferme aussi facilement que vous l'aimez. Sinon, incliner légèrement le réfrigérateur vers l'arrière en tournant les deux vis avant de réglage des roulettes dans le sens horaire. Il faudra peut-être plusieurs tours et vous devriez tourner les deux vis de réglage des roulettes de façon égale.
3. Réinstaller la grille de la base.

Étapes finales

⚠ AVERTISSEMENT



Risque de choc électrique

Brancher sur une prise à 3 alvéoles reliée à la terre.

Ne pas enlever la broche de liaison à la terre.

Ne pas utiliser un adaptateur.

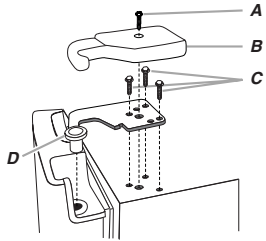
Ne pas utiliser un câble de rallonge.

Le non-respect de ces instructions peut causer un décès, un incendie ou un choc électrique.

1. Brancher sur une prise à 3 alvéoles reliée à la terre.
2. Réinstaller toutes les pièces amovibles dans les portes et les tiroirs; ranger les aliments dans le réfrigérateur et le congélateur.

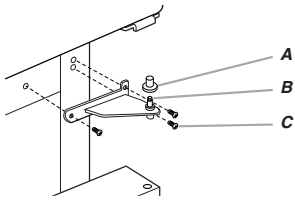
Enlèvement et réinstallation de la porte

Charnières supérieures



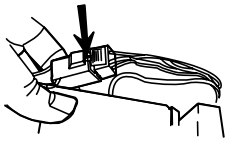
- A. Vis du cache de la charnière
- B. Cache de la charnière supérieure
- C. Vis de charnière à tête hexagonale de 5/16"
- D. Charnière supérieure

Charnières inférieures

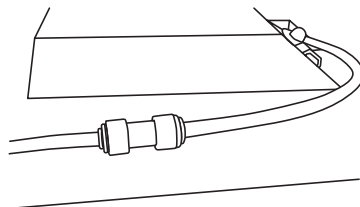


- A. Couvercle de l'axe de la charnière
- B. Charnière inférieure
- C. Vis de charnière

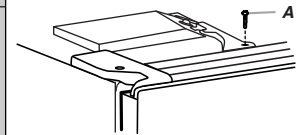
Fiche de branchement



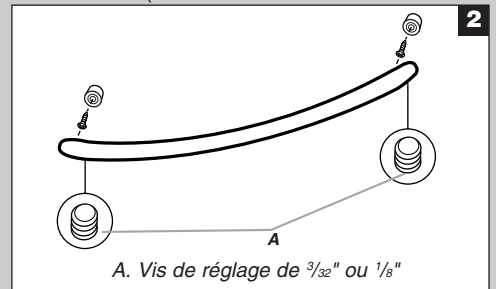
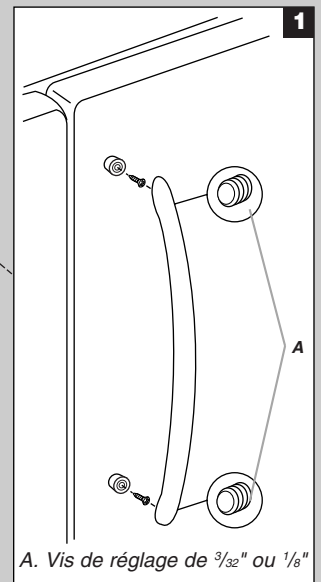
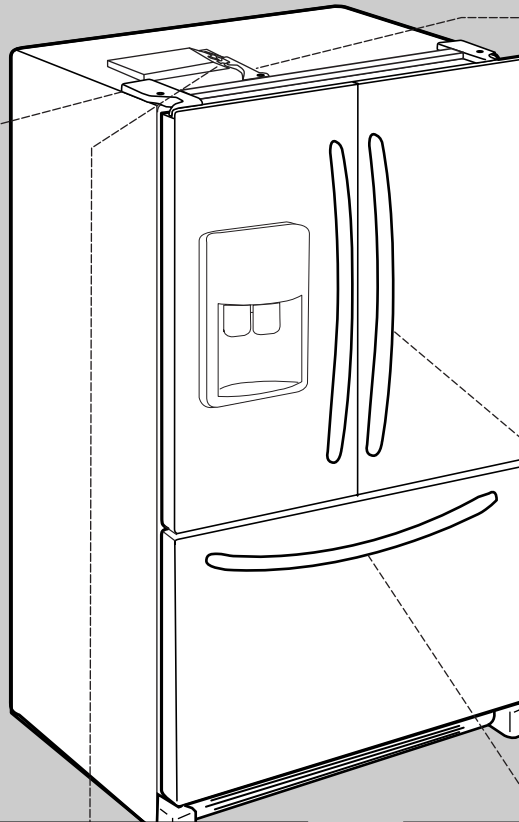
Raccordement d'eau



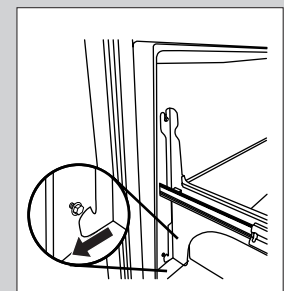
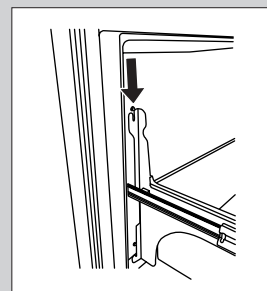
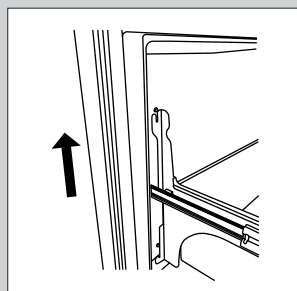
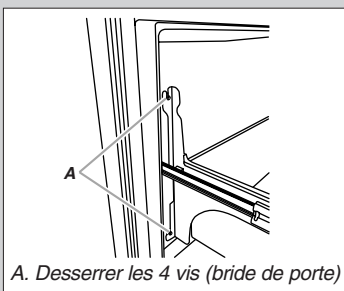
Panneau de façade



A. Vis



Dépose de la façade du tiroir



Réinstallation de la façade du tiroir

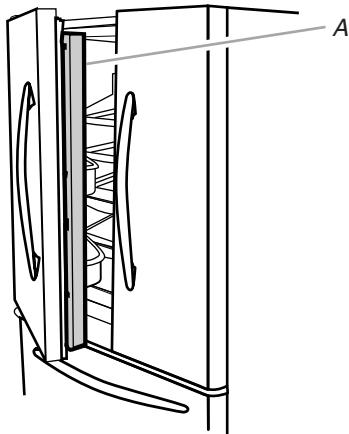
UTILISATION DU RÉFRIGÉRATEUR

Ouverture et fermeture des portes

Il y a deux portes pour le compartiment de réfrigération. Les portes peuvent être ouvertes et fermées séparément ou ensemble.

Il y a sur la porte de gauche du réfrigérateur un joint à charnière verticale.

- Lors de l'ouverture de la porte du côté gauche, le joint à charnière se replie automatiquement pour qu'il n'y ait pas d'interférence.
- Lorsque les deux portes sont fermées, le joint à charnière assure automatiquement l'étanchéité entre les deux portes.



A. Joint à charnière

Utilisation des commandes

Les commandes du réfrigérateur et du congélateur se trouvent sur le panneau de distribution et sur l'écran d'affichage.



Écran d'affichage

Langue de préférence

La langue du texte apparaissant sur l'écran d'affichage peut être réglée en anglais, en espagnol ou en français.

- Pour faire passer le texte de l'écran d'affichage de l'anglais au français ou à l'espagnol, appuyer sur le bouton HOME (accueil) du panneau de distribution. Sur l'écran d'affichage, appuyer sur OPTIONS, puis PRÉFÉRENCES (préférences), et enfin LANGUAGE (langue). Sélectionner ESPAÑOL (espagnol) ou FRANÇAIS, attendre 15 secondes ou appuyer sur BACK (retour), et le texte de l'écran sera modifié.
- Pour faire passer le texte de l'écran d'affichage de l'espagnol à l'anglais, appuyer sur le bouton HOME (accueil) du panneau de distribution. Sur l'écran d'affichage, appuyer sur OPCIONES (options), puis PREFERENCIAS (préférences), et enfin IDIOMA (langue). Sélectionner INGLÉS, attendre 15 secondes ou appuyer sur ATRÁS (retour), et le texte de l'écran sera modifié.

- Pour faire passer le texte de l'écran d'affichage du français à l'anglais, appuyer sur le bouton HOME (accueil) du panneau de distribution. Sur l'écran d'affichage, appuyer sur OPTIONS, puis PRÉFÉRENCES, et enfin LANGUE. Sélectionner ANGLAIS, attendre 15 secondes ou appuyer sur RETOUR, et le texte de l'écran sera modifié.

Mise en marche/arrêt du refroidissement

Pour éteindre le refroidissement, appuyer pendant 3 secondes sur le bouton TEMP situé sur le panneau de distribution. Ni le réfrigérateur, ni le congélateur ne refroidiront lorsque le refroidissement est désactivé.

Pour réactiver le refroidissement, appuyer de nouveau sur le bouton TEMP pendant 3 secondes.

Commandes de température

Pour votre commodité, les commandes du réfrigérateur et du congélateur sont pré-réglées à l'usine.

Pour visualiser les points de réglages, appuyer sur le bouton TEMP sur le panneau de distribution. Les points de réglage recommandés par l'usine sont 0°F (-18°C) pour le congélateur et 38°F (3°C) pour le réfrigérateur.

IMPORTANT :

- Attendre 24 heures avant d'ajouter des aliments dans le réfrigérateur. Si on ajoute des aliments alors que le réfrigérateur n'a pas complètement refroidi, les aliments risquent de s'abîmer.

REMARQUE : Ajuster les points de réglage à un réglage plus élevé (plus froid) que celui qui est recommandé ne refroidira pas les compartiments plus rapidement.

- Les pré-réglages devraient être corrects pour une utilisation domestique normale. Les réglages sont faits correctement lorsque le lait ou le jus sont aussi froids que vous l'aimez et lorsque la crème glacée est ferme.
- Attendre au moins 24 heures entre les ajustements. Vérifier à nouveau les températures avant de procéder à d'autres ajustements.
- L'écran d'affichage sur le tableau de commande de distribution est équipé d'un panneau lumineux qui s'éteint automatiquement lorsque les commandes n'ont pas été utilisées pendant 2 minutes ou plus. Lorsque le panneau lumineux est éteint, celui-ci peut-être réactivé par une simple pression sur n'importe quel bouton ou en touchant l'écran d'affichage. Les réglages ne seront pas modifiés. Si l'on appuie de nouveau sur un bouton ou que l'on touche à nouveau l'écran d'affichage dans les 2 minutes qui suivent la réactivation du panneau lumineux, les réglages seront modifiés.

Avertisseur de porte entrouverte

La caractéristique d'alarme de porte entrouverte fait retentir un signal d'alarme lorsque la porte du réfrigérateur ou du congélateur est ouverte pendant 5 minutes et que le système de refroidissement fonctionne. L'alarme retentira toutes les 2 minutes.

- Fermer les deux portes pour l'arrêter. Cette caractéristique se réinitialise et se réactive ensuite si l'une des portes est de nouveau laissée ouverte pendant 5 minutes.
- Si l'on doit maintenir les portes ouvertes et que l'on souhaite que l'alarme reste muette pendant un maximum de 5 minutes, appuyer sur SNOOZE (rappel d'alarme) sur l'écran d'affichage.
- Si l'on doit maintenir les portes ouvertes et que l'on souhaite que l'alarme reste muette pendant plus longtemps que 5 minutes, appuyer sur RESET (réinitialisation) sur l'écran d'affichage. L'alarme reste désactivée jusqu'à ce que les deux portes soient fermées, puis se réactive lorsque l'une des portes est de nouveau laissée ouverte pendant 5 minutes.

Ajustement des commandes

Pour ajuster les points de réglages, appuyer sur le bouton TEMP sur le tableau de distribution. Les points de réglage et les informations d'ajustement apparaîtront sur l'écran d'affichage.

Commandes du réfrigérateur

S'assurer que REFRIGERATOR est sélectionné. Les flèches vers le haut ou vers le bas sur l'écran d'affichage vous permettent d'ajuster la température du compartiment de réfrigération. La gamme de valeurs de réglage pour le réfrigérateur va de 33°F à 45°F (0°C à 7°C).

- Appuyer sur la flèche vers le bas pour abaisser le point de réglage.
- Appuyer sur la flèche vers le haut pour augmenter le point de réglage.

REMARQUE : Pour voir les températures Celsius, appuyer sur UNITS (unités). Pour ramener le réglage de l'affichage en degrés Fahrenheit, appuyer de nouveau sur UNITS.

Commandes du congélateur

S'assurer que FREEZER est sélectionné. Les flèches vers le haut ou vers le bas sur l'écran d'affichage permettent d'ajuster la température du compartiment de congélation. La gamme de valeurs de réglage pour le congélateur va de -5°F à 5°F (-21°C à -15°C).

- Appuyer sur la flèche vers le bas pour abaisser le point de réglage.
- Appuyer sur la flèche vers le haut pour augmenter le point de réglage.

REMARQUE : Pour voir les températures Celsius, appuyer sur UNITS (unités). Pour ramener le réglage de l'affichage en degrés Fahrenheit, appuyer de nouveau sur UNITS.

ÉTAT :	AJUSTEMENT DE LA TEMPÉRATURE :
RÉFRIGÉRATEUR trop froid	Réglage du RÉFRIGÉRATEUR 1° plus haut
RÉFRIGÉRATEUR trop tiède	RÉGLAGE DU RÉFRIGÉRATEUR 1° plus bas
CONGÉLATEUR trop froid	Réglage du CONGÉLATEUR 1° plus haut
CONGÉLATEUR trop tiède/trop peu de glaçons	RÉGLAGE DU CONGÉLATEUR 1° plus bas

Appuyer sur BACK (retour) pour sortir du mode de réglage.

Caractéristiques

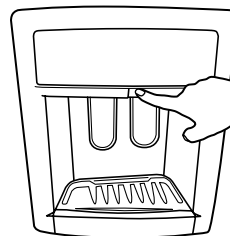
Photos

Le panneau d'affichage du réfrigérateur est rempli de photos fournies par le fabricant. Vous pouvez choisir de conserver ou d'effacer ces photos.

REMARQUE : Le panneau d'affichage a une capacité de 100 photos.

Port USB

Il existe un port USB sous l'écran d'affichage dans la zone du distributeur, tel qu'illustré.



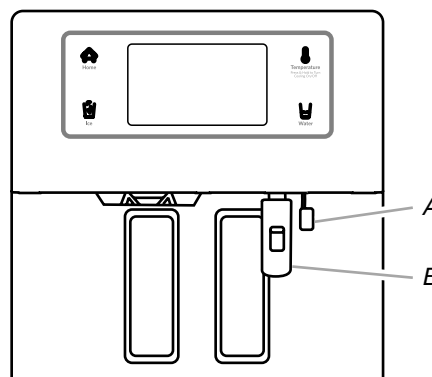
IMPORTANT :

- Aucun dispositif de mémoire USB n'est fourni avec le réfrigérateur. Certains dispositifs de mémoire USB ne sont pas lisibles. Le port USB est compatible uniquement avec des dispositifs de mémoire USB standards 1.1 et 2.0.
- Télécharger les photos stockées dans le répertoire principal du dispositif de mémoire USB, et non à partir d'un dossier désigné.
- Le dispositif USB peut lire uniquement des photos JPEG. Pour réduire le temps de téléchargement, envisager de réduire la résolution des photos.
- REMARQUE :** La résolution d'image recommandée est de 480 x 272 pixels.
- Ne pas télécharger de photos directement à partir d'appareils photos numériques ou de dispositifs externes.
- Le port USB n'a pas fonction de dispositif de chargement.
- Les distributeurs d'eau et de glaçons ne fonctionneront pas lorsque le dispositif de mémoire USB est inséré dans le port USB.

Télécharger des photos vers l'affichage

1. Enlever la protection du port USB.
2. Alors que l'écran d'accueil est affiché, appuyer sur PHOTOS et insérer le dispositif de mémoire USB. Le tableau de commande affiche toutes les photos JPEG trouvées sur le dispositif de mémoire USB.

REMARQUE : On ne peut pas télécharger plus de 100 photos sur le l'écran d'affichage.



A. Protection du port USB

B. Dispositif de mémoire USB

3. Toucher les photos que l'on souhaite sélectionner. Les photos sélectionnées sont mises en évidence.

REMARQUE : Une photo sélectionnée est désélectionnée si on la touche à nouveau.

4. Appuyer sur UPLOAD SELECTED (téléchargement sélectionné) pour télécharger uniquement les photos sélectionnées ou appuyer sur UPLOAD THIS PAGE (télécharger cette page) pour télécharger les six photos visibles à l'écran. Répéter ce processus pour télécharger jusqu'à 100 photos maximum.
5. Retirer le dispositif de mémoire USB et réinstaller la protection sur le port USB.

IMPORTANT :

Le téléchargement sera interrompu si l'une des situations suivantes se produit :

- Si l'on appuie sur l'un des boutons FILL (remplissage), l'une des plaques du distributeur ou sur CANCEL (annulation).
- Si l'alarme de porte entrouverte se déclenche ou si une panne de courant survient durant le téléchargement.
- Si l'on retire le dispositif de mémoire USB.

REMARQUE : Si l'on retire le dispositif de mémoire USB pendant le téléchargement des photos, l'affichage présente uniquement les photos qui ont été complètement transférées. Si aucune photo n'a été transférée, l'affichage revient à l'écran d'accueil.

Effacer les photos de l'affichage

Une fois téléchargées, les photos peuvent être retirées de l'écran d'affichage.

1. Sélectionner la(les) photo(s) que l'on souhaite effacer en les touchant sur l'écran d'affichage. Les photos sélectionnées sont surlignées.
2. Appuyer sur DELETE SELECTED (effacer les photos sélectionnées) pour effacer uniquement les photos sélectionnées ou appuyer sur DELETE ALL (effacer tout) pour effacer toutes les photos téléchargées.

REMARQUE : UNE RESTAURATION DU PARAMÉTRAGE USINE effacera également toutes les photos téléchargées de l'écran d'affichage.

IMPORTANT :

L'effacement sera interrompu si l'une des situations suivantes se produit :

- Si l'on appuie sur l'un des boutons FILL (remplissage), l'une des plaques du distributeur ou sur CANCEL (annulation).
- Si l'alarme de porte entrouverte se déclenche ou si une panne de courant survient durant le téléchargement.

Diaporama

1. À partir de l'écran d'accueil, appuyer sur PHOTOS. Les photos précédemment téléchargées s'affichent.
2. Appuyer sur SLIDESHOW (diaporama); toutes les images téléchargées apparaissent dans le diaporama.

REMARQUE : Après 1 heure de fonctionnement en diaporama, l'écran d'affichage revient automatiquement au mode d'économie d'énergie (mode veille). Toucher l'écran d'affichage pour quitter le mode d'économie d'énergie (mode veille) et revenir au diaporama.

IMPORTANT :

Le diaporama sera interrompu si l'une des situations suivantes se produit :

- Si l'on appuie sur les boutons tactiles FILL (remplissage) ou sur les plaques du distributeur, ou si l'on appuie sur une zone quelconque de l'écran.
- Si l'alarme de porte entrouverte se déclenche ou si une panne de courant survient.

Si le diaporama est interrompu, suivre les étapes 1 et 2 suivantes pour poursuivre le diaporama.

Mesure

Fournit les équivalences de mesure métriques, équivalences de mesure de liquides, de beurre ou autres équivalences de mesure.

Substitutions

Propose des ingrédients de substitution pour les ingrédients généralement utilisés dans les recettes. Recommande des ingrédients pouvant être substitués à des ingrédients liquides, solides ou en poudre que vous n'avez pas forcément sous la main lors de la préparation d'une recette.

Options

Verrouillage

Voir "Distributeurs d'eau et de glaçons".

Minuterie

Pour aider l'utilisateur avec les tâches traditionnelles de la cuisine, il existe aussi une caractéristique de minuterie parmi les commandes.

1. Sur l'écran d'affichage, appuyer sur OPTIONS, puis sur TIMER (minuterie).
2. Appuyer sur les flèches (vers le haut ou vers le bas) pour ajuster les heures et les minutes tel que souhaité.
3. Pour démarrer le compte à rebours de la minuterie, appuyer sur START (mise en marche). La minuterie ne démarre pas si l'on quitte l'écran de la minuterie sans appuyer sur START.
 - Lorsque la minuterie commence le compte à rebours, appuyer sur PAUSE pour mettre le compte à rebours en pause. Appuyer sur START (mise en marche) pour lancer à nouveau le compte à rebours.
 - Pour réinitialiser la minuterie et la mettre à zéro, on peut appuyer sur RESET à n'importe quel moment.
 - Appuyer sur MAXIMIZE pour augmenter la taille du compte à rebours sur l'écran d'affichage. Lorsque le compte à rebours atteint zéro, l'affichage retourne à l'écran précédent.

IMPORTANT : Lorsqu'on utilise la minuterie, on peut aussi utiliser d'autres caractéristiques de commande et de distribution. Appuyer sur le bouton HOME sur le tableau de commande. Le compte à rebours de la minuterie est affiché au sommet de l'écran d'affichage.

4. Lorsque le compte à rebours atteint zéro, l'horloge de la minuterie clignote et un bip retentit; il se répétera toutes les 30 secondes. Appuyer sur RESET (réinitialisation) pour arrêter le signal sonore et réinitialiser la caractéristique de la minuterie.

Utilisation et entretien

Offre de l'aide, des informations et des réponses courtes à des réponses fréquemment posées.

Max Cool (refroidissement maximum)

La caractéristique Max Cool est utile lors de périodes d'utilisation intensive de glaçons, d'ajout d'un grand nombre d'aliments ou de l'élévation temporaire de la température de la pièce.

Sur l'écran d'affichage, appuyer sur OPTIONS, puis sur MAX COOL (refroidissement maximal). L'écran d'affichage indique si la caractéristique est activée ou non. Appuyer sur l'icône de MAX COOL pour commuter entre les réglages.

Une fois activé, le réglage Max Cool reste activé pendant 24 heures à moins d'être désactivé manuellement. L'écran d'affichage continuera d'afficher les points de réglage de température normaux.

REMARQUE : Si on désire une production accrue de glaçons en permanence, régler la commande du congélateur à un réglage inférieur. Le réglage du congélateur à une température plus froide peut rendre certains aliments, comme la crème glacée, plus durs.

Filtre à eau

Offre des informations relatives au statut du filtre à eau et au processus de commande pour un filtre de recharge. Une fois le filtre à eau changé, appuyer sur RESET (réinitialisation) pour modifier le statut du filtre à eau. Voir "Système de filtration de l'eau".

Machine à glaçons

Permet d'allumer ou d'éteindre la machine à glaçons.

Panne de courant

Fournit un historique des coupures de courant, indiquant les dates et les heures auxquelles le courant a été interrompu. Voir "Distributeurs d'eau et de glaçons".

Préférences

Permet de régler la langue de préférence. Voir "Utilisation des commandes". Permet de régler les préférences relatives aux glaçons, à l'eau et à la distribution. Voir "Distributeurs d'eau et de glaçons".

Réglages

Heure et date

- Pour modifier l'heure et la date affichées, appuyer sur **OPTIONS**, puis **SETTINGS**, puis **TIME & DATE**.
Pour modifier l'heure, utiliser les flèches vers le haut ou vers le bas.
Pour modifier la date, appuyer sur **CHANGE DATE** puis utiliser les flèches pour ajuster le réglage tel que désiré.

Volume sonore

- Pour régler le volume de tous les signaux sonores du distributeur et des commandes, appuyer sur **OPTIONS**, puis **SETTINGS** (réglages), et enfin **VOLUME**. Sélectionner le volume souhaité puis attendre 15 secondes ou appuyer sur **BACK** (retour).

REMARQUE : Le fait de sélectionner **MUTE** (silence) ne désactive pas l'alarme de porte entrouverte.

Luminosité de l'écran

- Pour régler la luminosité de l'écran d'affichage, appuyer sur **OPTIONS**, puis **SETTINGS** (réglages), et enfin **BRIGHTNESS** (luminosité). Sélectionner la luminosité souhaitée puis attendre 15 secondes ou appuyer sur **BACK** (retour).

Rétablissement du paramétrage usine

- Pour réinitialiser tous les réglages et préférences du paramétrage usine, appuyer sur **OPTIONS**, puis **SETTINGS**, puis **FACTORY RESET**. Sur l'écran suivant, appuyer sur **YES** pour confirmer. Si l'utilisateur appuie involontairement sur **YES** (oui) au lieu de **NO** (non), il dispose de 3 secondes pour appuyer sur **CANCEL** et conserver ses réglages personnalisés.

IMPORTANT : Si l'on choisit de revenir aux réglages par défaut, toutes les préférences personnalisées seront perdues – y compris les points de réglage de température, les préférences et pré-réglages de distribution, la sélection de la langue, les réglages de volume et de luminosité, la date et l'heure, ainsi que toutes les photos sauvegardées dans l'écran d'affichage.

Entretien de l'écran tactile

IMPORTANT : Ne pas utiliser d'objets pointus lorsque l'on utilise l'écran tactile. Cela pourrait endommager l'écran.

Pour des renseignements sur le nettoyage de l'écran tactile, voir "Nettoyage".

Réglage de l'humidité dans le bac à légumes

On peut contrôler le degré d'humidité dans le bac à légumes étanche. Selon le modèle, on peut appliquer les réglages suivants : **FRUIT** (fruits) et **VEGETABLES** (légumes) ou **LOW** (faible) et **HIGH** (élevé).

FRUIT (fruits)/LOW (bas) [ouvert] pour une meilleure conservation des fruits et légumes à peaux.

VEGETABLES (légumes)/HIGH (élevé) [fermé] pour une meilleure conservation des légumes à feuilles frais.

Distributeurs d'eau et de glaçons

IMPORTANT:

- Après avoir connecté le réfrigérateur à une source d'alimentation en eau ou après avoir remplacé le filtre à eau, vidanger le système d'eau. Utiliser un récipient robuste pour appuyer sur la plaque du distributeur d'eau pendant 5 secondes, puis relâcher pendant 5 secondes. Répéter l'opération jusqu'à ce que l'eau commence à couler. Une fois que l'eau commence à couler, répéter l'opération (appuyer sur la plaque du distributeur pendant 5 secondes puis relâchement pendant 5 secondes) jusqu'à ce que vous ayez obtenu 4 gallons (15 L) au total. Ceci permettra d'évacuer l'air du filtre et du système de distribution d'eau, et rendra le filtre à eau prêt à être utilisé. Une vidange supplémentaire peut être nécessaire dans certains domiciles. Pendant l'évacuation de l'air, l'eau peut gicler du distributeur.
- Accorder 24 heures pour que le réfrigérateur se refroidisse et refroidisse l'eau.
- Accorder 24 heures pour produire la première quantité de glaçons. Jeter les trois premières quantités de glaçons produites.
- Le système de distribution ne fonctionne pas lorsque la porte du réfrigérateur est ouverte et/ou lorsqu'un dispositif USB est inséré dans le port USB.

Options

Selon le modèle que vous avez, vous pouvez avoir une ou plusieurs des options suivantes : la capacité de choisir de la glace concassée ou des glaçons, un plateau coulissant, une lumière spéciale qui s'allume lorsque vous employez le distributeur, une option de verrouillage pour éviter la distribution involontaire, ou un indicateur qui vous indique la survenance d'une panne de courant.

REMARQUES :

- La langue du texte apparaissant sur l'écran d'affichage peut être réglée en anglais, en espagnol ou en français. Pour des renseignements sur le changement de langue, voir "Utilisation des commandes".
- L'écran d'affichage sur le tableau de commande de distribution est équipé d'un panneau lumineux qui s'éteint automatiquement lorsque les commandes n'ont pas été utilisées pendant 2 minutes ou plus. Lorsque le panneau lumineux est éteint, celui-ci peut-être réactivé par une simple pression sur n'importe quel bouton ou en touchant l'écran d'affichage. Les réglages ne seront pas modifiés. Si l'on appuie de nouveau sur un bouton ou que l'on touche à nouveau l'écran d'affichage dans les 2 minutes qui suivent la réactivation du panneau lumineux, les réglages seront modifiés.

Le distributeur d'eau

IMPORTANT : Puiser une quantité suffisante d'eau chaque semaine pour maintenir un approvisionnement frais.

L'unité d'affichage par défaut pour la distribution d'eau est en onces. Les unités peuvent être changées en tasses ou en litres.

Distribution d'eau (standard) :

1. Appuyer un verre robuste contre la plaque du distributeur d'eau OU placer le verre sous le distributeur d'eau et appuyer sur le bouton du distributeur d'eau.



Water

2. Retirer le verre OU relâcher le bouton pour arrêter la distribution.

Distribution d'eau (remplissage mesuré) :

La fonction Measured Fill (remplissage mesuré) permet de distribuer une quantité d'eau précise en appuyant simplement sur quelques boutons.

REMARQUE : La quantité d'eau distribuée correspondra à la quantité sélectionnée. Vérifier que le récipient est vide et peut contenir le volume complet. Si de la glace se trouve dans le récipient, il peut être nécessaire d'ajuster la sélection.

1. Appuyer sur EAU sur l'écran d'affichage pour activer cette caractéristique.

REMARQUE : Le distributeur quitte automatiquement l'écran Measured Fill (remplissage mesuré) après 15 secondes d'inactivité.

2. Il est possible de puiser l'eau en once, en tasse ou en litre. Appuyer sur UNITÉS pour sélectionner l'unité de mesure désirée. Les volumes minimum et maximum sont indiqués ci-dessous.

Unités	Minimum	Maximum
Onces	1	128
Tasses	1/4	16
Litres	0,05	4

3. Appuyer sur les flèches vers le haut ou vers le bas pour régler le volume tel que souhaité.

REMARQUE : La plupart des tasses à café (généralement 4 à 6 onces [118 à 177 mL] par tasse) ne sont pas de la même taille que les tasses à mesurer (8 onces [237 mL]). Il peut être nécessaire d'ajuster le volume pour éviter un remplissage excessif non intentionnel des tasses à café. La caractéristique Measured Fill est basée sur une pression de l'eau standard de 60 lb/po2. Les utilisateurs avec une pression de l'eau inférieure devront peut-être ajuster en conséquence le volume d'eau sélectionné.

4. Pour puiser de l'eau, appuyer un verre robuste contre la plaque du distributeur d'eau OU placer le verre sous le distributeur d'eau et appuyer sur le bouton du distributeur d'eau.



Water

REMARQUE : Au cours de la distribution de l'eau, l'affichage numérique procède à un décompte de la quantité d'eau qu'il reste à distribuer, en fonction du volume sélectionné. Le débit d'eau s'arrête automatiquement une fois que le volume désiré a été distribué.

5. Pour arrêter la distribution avant que la totalité du volume sélectionné ait été distribuée, écarter le verre de la plaque du distributeur OU appuyer une seconde fois sur le bouton du distributeur d'eau.

REMARQUE : Si la distribution est arrêtée avant que la totalité du volume sélectionné ait été distribuée, l'affichage numérique continue d'indiquer la quantité d'eau qu'il reste à distribuer. L'écran Measured Fill (remplissage mesuré) disparaît de l'affichage après 15 secondes d'inactivité.

Pour sélectionner un nouveau volume ou sélectionner à nouveau le même volume, il est nécessaire auparavant d'achever la distribution du volume sélectionné, ou bien de désactiver la fonction Measured Fill pour la réactiver ensuite.

Volumes pré réglés

Le distributeur peut contenir jusqu'à trois volumes d'eau pré réglés pour une distribution facile dans des contenants traditionnels.

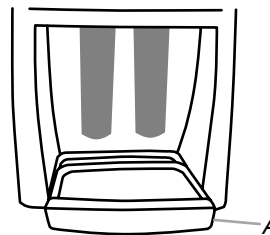
- Pour sauvegarder les pré réglages, appuyer sur EAU, puis sur PRÉRÉGLAGE. Repérer un pré réglage vide ou non désiré sur l'écran d'affichage. Appuyer sur ce pré réglage pendant 3 secondes; le menu d'ajustement de pré réglage apparaît ensuite sur l'écran d'affichage. Régler les unités et le volume d'eau si désiré, tel qu'indiqué aux étapes 2 et 3 de la section précédente. Appuyer sur PRÉRÉGLAGE pour sauvegarder ce pré réglage.
- Pour utiliser les pré réglages, appuyer sur EAU, puis PRÉRÉGLAGE, puis appuyer sur le pré réglage souhaité et relâcher. Commencer la distribution d'eau tel que spécifié aux étapes 4 et 5 de la section précédente.

Plateau coulissant

Le distributeur comporte dans sa partie inférieure un petit plateau coulissant.

- Le plateau peut être légèrement tiré vers l'extérieur pour un meilleur soutien des grands récipients. Il est conçu pour récupérer les légers renversements et permettre un nettoyage facile. Il n'y a pas de conduit d'écoulement dans le plateau.

REMARQUE : Le plateau peut être enlevé du distributeur et transporté jusqu'à l'évier pour être vidé ou nettoyé. Tirer le plateau jusqu'à la butée pour le sortir, puis soulever doucement l'arrière du plateau et le faire glisser pour le sortir complètement.



A. Plateau coulissant

Le distributeur de glaçons

La glace tombe du bac d'entreposage de la machine à glaçons dans le congélateur lorsqu'on appuie sur la plaque du distributeur. Le système de distribution ne fonctionne pas lorsque la porte du réfrigérateur est ouverte. Pour éteindre la machine à glaçons, voir "Machine à glaçons et bac d'entreposage".

La machine à glaçons peut produire de la glace concassée et des glaçons. Avant de commencer la distribution de glace, appuyer sur GLACE sur l'écran d'affichage pour sélectionner le type de glace que l'on souhaite distribuer.

L'écran d'affichage indique le type de glace sélectionné.



CRUSHED
(Glace concassée)



CUBED
(Glaçons)

Pour la glace concassée, les cubes de glace sont concassés avant d'être distribués. Cela peut entraîner un léger retard dans la distribution de glace concassée. Le bruit du broyeur de glaçons est normal et la dimension des morceaux de glace peut varier. Lorsqu'on passe du mode glace concassée au mode glaçons, quelques onces de glace concassée sont distribuées avec les premiers glaçons.

Distribution de glace :

1. Sélectionner le type de glace souhaité.

⚠ AVERTISSEMENT



Risque de coupure

Utiliser un verre robuste pour prendre des glaçons.

Le non-respect de cette instruction peut causer des coupures.

2. Appuyer un verre robuste contre la plaque du distributeur de glaçons OU placer le verre sous le distributeur de glaçons et appuyer sur le bouton du distributeur de glaçons.



Ice

Tenir le verre près de l'ouverture du distributeur pour que les glaçons ne tombent pas à côté du verre.

IMPORTANT : Il n'est pas nécessaire d'exercer une pression importante sur la plaque ou le bouton pour activer le distributeur de glaçons. Une pression forte ne donne pas une distribution plus rapide de glaçons ou des quantités plus grandes.

3. Retirer le verre OU relâcher le bouton pour arrêter la distribution.

REMARQUE : La distribution de glaçons peut se poursuivre pendant 10 secondes après que le verre a été éloigné de la plaque ou en relâchant le bouton. Le distributeur peut continuer à faire du bruit pendant quelques secondes après la distribution.

La lampe du distributeur

Lorsqu'on utilise le distributeur, la lampe s'allume automatiquement. Si l'on souhaite que la lumière soit constamment allumée, appuyer sur ÉCLAIRAGE sur l'écran d'affichage pour commuter entre les réglages MARCHE et ARRÊT. L'écran d'affichage indique le mode sélectionné.

MARCHE : La lumière du distributeur reste activée avec une luminosité constante.

ARRÊT : La lumière du distributeur reste éteinte, sauf lors de la distribution d'eau ou de glace.

Les lampes du distributeur sont des DEL qui ne peuvent pas être remplacées. Si les lampes du distributeur ne fonctionnent pas, voir la section "Dépannage" pour plus d'informations.

Le verrouillage du distributeur

Le distributeur peut être verrouillé pour un nettoyage facile ou pour éviter la distribution involontaire par de jeunes enfants ou des animaux de compagnie.

REMARQUE : La caractéristique de verrouillage ne coupe pas le courant électrique au réfrigérateur, à la machine à glaçons ou à la lumière du distributeur. Cela désactive tout simplement les commandes et les leviers du distributeur. Pour éteindre la machine à glaçons, voir "Machine à glaçons et bac d'entreposage".

- Pour verrouiller le distributeur, appuyer sur OPTIONS, puis sur VERROUILLAGE, puis sur OUI. L'écran d'affichage confirme le verrouillage du distributeur.
- Pour déverrouiller le distributeur, appuyer sur OPTIONS, puis sur VERROUILLAGE, puis sur OUI. L'écran d'affichage confirme le déverrouillage du distributeur.

Indicateur de panne de courant (sur certains modèles)

L'indicateur de panne de courant vous indique si l'alimentation électrique du réfrigérateur est interrompue pendant plus d'une heure.

Lorsque l'alimentation électrique est rétablie, une icône de coupure de courant apparaît sur l'écran d'affichage. L'affichage indique combien de temps le réfrigérateur est resté sans alimentation électrique, en utilisant des durées précises si l'horloge a été réglée.

Lorsque l'indicateur est allumé, toutes les autres fonctions du distributeur sont désactivées. Pour utiliser le distributeur, il est nécessaire de réinitialiser l'indicateur de panne de courant.

- Appuyer sur RÉINITIALISATION sur l'écran d'affichage, puis sur OUI pour confirmer la réinitialisation du témoin.

À partir de l'écran d'accueil, il est possible de voir l'historique de coupure de courant pour le réfrigérateur. Appuyer sur OPTIONS, puis sur COUPURE DE COURANT.

Machine à glaçons et bac d'entreposage

IMPORTANT :

- Vidanger le système d'approvisionnement en eau avant de mettre en marche la machine à glaçons. Voir "Distributeurs d'eau et de glaçons".
- La machine à glaçons et le bac d'entreposage se trouvent dans la partie supérieure droite du compartiment de réfrigération.

Mise en marche/arrêt de la machine à glaçons

La machine à glaçons comporte un système d'arrêt automatique. Lorsque la machine à glaçons est en marche, les capteurs interrompent automatiquement la production de glaçons lorsque le bac à glaçons est plein. La machine à glaçons reste réglée à MARCHE et la production de glaçons reprend lorsque le bac n'est plus plein.

Pour éteindre la machine à glaçons manuellement, appuyer sur OPTIONS sur l'écran d'affichage, puis sur MACHINE À GLAÇONS. Sur l'écran suivant, appuyer à nouveau sur MACHINE À GLAÇONS pour commuter entre MARCHE et ARRÊT. Lorsque la machine à glaçons est réglée à ARRÊT, elle cesse de produire des glaçons.

Dépose et réinstallation du bac d'entreposage à glaçons

Pour retirer le bac d'entreposage à glaçons :

REMARQUE : Il n'est pas nécessaire d'éteindre la machine à glaçons lorsque l'on retire le bac à glaçons.

1. Tirer sur la poignée pour déverrouiller le bac d'entreposage des glaçons.
2. Maintenir les deux côtés du bac d'entreposage des glaçons, incliner le bac vers l'avant et le soulever légèrement pour le retirer.

Pour réinstaller le bac d'entreposage à glaçons :

IMPORTANT : Le bac d'entreposage à glaçons doit être bloqué en place pour une distribution appropriée de glaçons.

1. Réinstaller le bac d'entreposage des glaçons sur la porte.
2. Faire pivoter le bac jusqu'à ce qu'il soit bien en place et le pousser vers l'arrière pour s'assurer qu'il est bien fixé.

Taux de production de glaçons

- Accorder 24 heures pour produire le premier lot de glaçons. Jeter les trois premiers lots de glaçons produits.
- La machine à glaçons devrait produire approximativement 40 lots de glaçons au cours d'une période de 24 heures.
- Pour augmenter la production de glaçons, diminuer la température du congélateur et du réfrigérateur. Voir "Utilisation des commandes". Attendre 24 heures entre les ajustements.

À noter

- La qualité de vos glaçons dépend de la qualité de l'eau fournie à votre machine à glaçons. Éviter de brancher la machine à glaçons à un approvisionnement d'eau adoucie. Les produits chimiques adoucisseurs d'eau (tels que le sel) peuvent endommager des pièces de la machine à glaçons et causer une piètre qualité des glaçons. Si une alimentation d'eau adoucie ne peut pas être évitée, s'assurer que l'adoucisseur d'eau fonctionne bien et qu'il est bien entretenu.
- Ne pas utiliser un objet pointu pour briser les glaçons dans le bac d'entreposage. Cette action peut endommager le bac à glaçons et le mécanisme du distributeur.
- Ne pas garder quoi que ce soit sur le dessus de la machine à glaçons ou dans le bac à glaçons.

Témoin lumineux de l'état du filtre à eau

Le témoin lumineux de l'état du filtre à eau vous permettra de savoir quand changer votre filtre à eau. Lorsque l'écran d'affichage de l'état du filtre à eau passe de "NORMAL" à "COMMANDER", cela signifie qu'il est presque temps de changer la cartouche du filtre à eau. Remplacer la cartouche du filtre à eau lorsque l'écran d'affichage indique "REEMPLACER". L'icône "REEMPLACER" (rouge) clignotera et un signal sonore retentira une fois après la distribution de l'eau.

Si le débit d'eau vers le distributeur d'eau ou la machine à glaçons décroît de manière sensible, il convient de changer le filtre plus tôt. Le filtre doit être remplacé au moins tous les 6 mois selon la qualité de l'eau et l'utilisation. Pour changer le filtre à eau, voir "Système de filtration d'eau".

TÉMOIN :	ÉTAT :
NORMAL (vert)	Filtre neuf installé
COMMANDER (jaune)	Commander un filtre
REEMPLACER (rouge) OU lorsque le débit d'eau diminue	Remplacer le filtre à eau

Après avoir changé le filtre à eau, régler de nouveau le témoin lumineux de l'état du filtre à eau. Sur l'écran d'affichage, appuyer sur OPTIONS, puis FILTRE À EAU, puis RÉINITIALISATION, et enfin OUI. Le témoin lumineux passe de REEMPLACER (rouge) à NORMAL (vert) lorsque le système est réinitialisé.

Système de filtration de l'eau

Le filtre à eau se situe dans le coin supérieur droit du compartiment de réfrigération.

Ne pas utiliser pour le filtrage d'une eau microbiologiquement polluée ou de qualité inconnue en l'absence d'un dispositif de désinfection adéquat avant ou après le système. Les systèmes certifiés pour la réduction de kyste peuvent être utilisés pour l'eau désinfectée qui peut contenir des kystes filtrables.

IMPORTANT : Le filtre à eau jetable doit être remplacé au moins tous les 6 mois. Si le débit d'eau au distributeur d'eau ou à machine à glaçons diminue de façon notable avant 6 mois, remplacer le filtre à eau plus souvent.

Remplacement du filtre à eau

Pour acheter un filtre à eau de rechange, pièce n° UKF8001AXX, contactez votre revendeur ou composez le **1-877-232-6771** (É.-U.) ou le **1-800-807-6777** (Canada).

IMPORTANT : L'air emprisonné dans le système d'eau peut provoquer une expulsion de l'eau et du filtre. Toujours faire couler l'eau pendant au moins 2 minutes avant de retirer le filtre ou le bouchon de dérivation bleu.

1. Pour accéder au filtre, appuyer vers le haut sur la section ondulée du couvercle du filtre à eau.
2. Tourner le filtre dans le sens antihoraire pour le retirer.
3. Retirer l'étiquette de scellement du filtre de rechange et insérer l'extrémité du filtre dans la tête du filtre.
4. Tourner le filtre dans le sens horaire jusqu'à la butée. Emboîter le couvercle du filtre pour fermer.
5. Purger le système d'eau. Voir "Distributeurs d'eau et de glaçons".

REMARQUE : Le distributeur peut être utilisé sans installer de filtre à eau. L'eau ne sera pas filtrée. Si cette option est choisie, remplacer le filtre par un bouchon de dérivation bleu.

ENTRETIEN DU RÉFRIGÉRATEUR

Nettoyage

AVERTISSEMENT



Risque d'explosion

Utiliser un produit de nettoyage ininflammable.

Le non-respect de cette instruction peut causer un décès, une explosion ou un incendie.

Les sections de réfrigération et de congélation se dégivrent automatiquement. Toutefois, nettoyer les deux sections environ une fois par mois pour éviter une accumulation d'odeurs. Essuyer les renversements immédiatement.

IMPORTANT :

- Comme l'air circule entre les deux sections, toutes les odeurs formées dans une section seront transférées à l'autre. Vous devez nettoyer à fond les deux sections pour éliminer les odeurs. Pour éviter le transfert d'odeurs et l'assèchement des aliments, envelopper ou recouvrir hermétiquement les aliments.
- Ne pas utiliser des nettoyants abrasifs tels que les nettoyants à vitre en atomiseurs, nettoyants à récurer, liquides inflammables, cires nettoyantes, détergents concentrés, eau de Javel ou nettoyants contenant du pétrole. Ne pas utiliser d'essuie-tout, tampons à récurer ou autres outils de nettoyage abrasifs pouvant endommager ou érafler les matériaux.

Nettoyage de l'intérieur

1. Débrancher le réfrigérateur ou déconnecter la source de courant électrique.
2. Laver à la main, rincer et sécher les pièces amovibles et les surfaces internes à fond. Utiliser une éponge propre ou un linge doux et un détergent doux dans de l'eau tiède.
3. Brancher le réfrigérateur ou reconnecter la source de courant électrique.

Nettoyage de l'écran tactile sur le panneau d'affichage

1. Pour éviter de modifier involontairement les réglages, s'assurer que le réfrigérateur est débranché ou que le courant électrique est déconnecté avant d'essuyer l'écran.
2. Mélanger une solution de détergent doux dans de l'eau tiède. Imprégner un chiffon doux sans charpie de la solution et essuyer doucement l'écran.

REMARQUE : Ne pas asperger ou essuyer des liquides directement sur l'écran ou ne pas mouiller excessivement le chiffon.

3. Brancher le réfrigérateur ou reconnecter la source de courant électrique.

Nettoyage des surfaces extérieures

1. Débrancher le réfrigérateur ou déconnecter la source de courant électrique.
 2. Laver les surfaces extérieures en acier inoxydable ou en métal peint avec une éponge propre ou un linge doux et un détergent doux dans de l'eau tiède.
 - Pour que votre réfrigérateur en acier inoxydable conserve son aspect neuf et pour enlever les petites égratignures ou marques, il est suggéré d'utiliser le nettoyant et poli pour acier inoxydable n° 4396920 approuvé par le fabricant. Pour commander le produit de nettoyage, composer le **1-800-422-1230** (É.-U.) ou le **1-800-807-6777** (Canada).
- IMPORTANT :** Ce nettoyant doit être utilisé sur les pièces en acier inoxydable uniquement!
- Veiller à ce que le nettoyant et poli pour acier inoxydable n'entre pas en contact avec les pièces de plastique telles que garnitures, couvercles de distributeurs ou joints de porte. En cas de contact non intentionnel, nettoyer la pièce de plastique avec une éponge et un détergent doux dans de l'eau tiède. Sécher parfaitement avec un linge doux.
3. Brancher le réfrigérateur ou reconnecter la source de courant électrique.

Nettoyage du condenseur

Le condenseur n'a pas besoin d'être nettoyé souvent dans des conditions de fonctionnement normales. Si l'environnement est particulièrement gras, poussiéreux, ou s'il y a des animaux domestiques dans la maison, le condenseur devrait être nettoyé tous les deux ou trois mois pour assurer une efficacité maximum.

Nettoyer le condenseur :

1. Débrancher le réfrigérateur ou déconnecter la source de courant électrique.
2. Retirer la grille de la base.
3. Utiliser un aspirateur à brosse douce pour nettoyer la grille, les endroits ouverts derrière la grille et la surface à l'avant du condenseur.
4. Replacer la grille de la base lorsqu'on a terminé.
5. Brancher le réfrigérateur ou reconnecter la source de courant électrique.

Remplacement de l'ampoule d'éclairage

REMARQUE : Toutes les ampoules pour appareils ménagers ne sont pas compatibles avec ce réfrigérateur. Veiller à remplacer l'ampoule par une ampoule de même taille, forme et puissance (pas plus de 40 W).

- Les lampes du distributeurs sont des DEL. Elles ne peuvent être changées.
- Sur certains modèles les lampes intérieures sont des DEL. Elles ne peuvent être changées.
- Certains modèles peuvent comporter des DEL dans un compartiment et une lampe pour appareils ménagers dans un autre compartiment.

Pour remplacer une lampe pour appareils ménagers :

1. Débrancher le réfrigérateur ou déconnecter la source de courant électrique.
2. Remplacer la ou les ampoule(s) grillée(s) avec une/des ampoule(s) pour appareil ménager ne dépassant pas 40 watts.
3. Brancher le réfrigérateur ou reconnecter la source de courant électrique.

DÉPANNAGE

Essayer d'abord les solutions suggérées ici ou visiter notre site Internet et la FAQ (foire aux questions) pour éviter le coût d'un appel de service.
Aux É.-U., www.kitchenaid.com Au Canada, www.kitchenaid.ca

Fonctionnement du réfrigérateur

Le réfrigérateur ne fonctionne pas

AVERTISSEMENT



Risque de choc électrique

Brancher sur une prise à 3 alvéoles reliée à la terre.

Ne pas enlever la broche de liaison à la terre.

Ne pas utiliser un adaptateur.

Ne pas utiliser un câble de rallonge.

Le non-respect de ces instructions peut causer un décès, un incendie ou un choc électrique.

- **Le cordon d'alimentation électrique est-il débranché?** Brancher sur une prise à 3 alvéoles reliée à la terre.
- **La prise électrique fonctionne-t-elle?** Brancher une lampe pour voir si la prise fonctionne.
- **Un fusible est-il grillé ou un disjoncteur s'est-il ouvert?** Remplacer le fusible ou réarmer le disjoncteur. Si le problème persiste, appeler un électricien.
- **Les commandes sont-elles en marche?** S'assurer que les commandes du réfrigérateur sont en marche. Voir "Utilisation de la(des) commande(s)".
- **S'agit-il d'une nouvelle installation?** Attendre 24 heures après l'installation pour que le réfrigérateur se refroidisse complètement.

REMARQUE : Mettre les boutons de réglage de la température sur la position la plus froide ne refroidira aucun des compartiments plus rapidement.

Le moteur semble trop tourner

Il se peut que votre nouveau réfrigérateur fonctionne plus longtemps que l'ancien grâce à son compresseur à haute efficacité et ses ventilateurs. L'appareil peut fonctionner plus longtemps encore si la température de la pièce est chaude, si une importante quantité de nourriture y est ajoutée, si les portes sont fréquemment ouvertes ou si elles ont été laissées ouvertes.

Le réfrigérateur semble bruyant

Le bruit des réfrigérateurs a été réduit au cours des années. Du fait de cette réduction, il est possible d'entendre des bruits intermittents venant de votre nouveau réfrigérateur qui n'avaient pas été décelés avec votre ancien modèle. Voici une liste des sons normaux accompagnés d'explications.

- **Bourdonnement** - entendu lorsque le robinet d'arrivée d'eau s'ouvre pour remplir la machine à glaçons
- **Pulsation** - les ventilateurs/le compresseur se règlent afin d'optimiser la performance
- **Sifflement/cliquetis** - écoulement de liquide réfrigérant, mouvement des conduites d'eau ou d'objets posés sur le dessus du réfrigérateur
- **Grésillement/gargouillement** - de l'eau tombe sur l'élément de chauffage durant le programme de dégivrage
- **Bruit d'éclatement** - contraction/expansion des parois internes, particulièrement lors du refroidissement initial
- **Bruit d'écoulement d'eau** - peut être entendu lorsque la glace fond lors du programme de dégivrage et que l'eau s'écoule dans le plateau de dégivrage
- **Grincement/craquement** - se produit lorsque la glace est éjectée du moule à glaçons

Les portes ne ferment pas complètement

- **La porte est-elle bloquée en position ouverte?** Déplacer les emballages d'aliments pour libérer la porte.
- **Un compartiment ou une tablette bloquent-ils le passage?** Replacer le compartiment ou la tablette en position correcte.

Les portes sont difficiles à ouvrir

AVERTISSEMENT



Risque d'explosion

Utiliser un produit de nettoyage ininflammable.

Le non-respect de cette instruction peut causer un décès, une explosion ou un incendie.

- **Les joints d'étanchéité sont-ils sales ou collants?** Nettoyer les joints et les surfaces de contact au savon doux et à l'eau tiède. Rincer et sécher avec un linge doux.

Température et humidité

La température est trop élevée

- **S'agit-il d'une nouvelle installation?** Attendre 24 heures après l'installation pour que le réfrigérateur se refroidisse complètement.
- **La/Les porte(s) est/sont-elle(s) fréquemment ouverte(s) ou laissée(s) ouverte(s)?** Ceci permet à l'air chaud de pénétrer dans le réfrigérateur. Minimiser les ouvertures de porte et garder les portes complètement fermées.
- **Une importante quantité d'aliments a-t-elle été ajoutée?** Attendre quelques heures pour que le réfrigérateur revienne à sa température normale.
- **Les commandes sont-elles correctes pour les conditions existantes?** Ajuster les commandes un cran plus froid. Vérifier la température au bout de 24 heures. Voir "Utilisation de la(des) commande(s)".

La température est trop basse dans le réfrigérateur

- **L'évent du réfrigérateur est-il obstrué?** Si l'évent situé dans la partie supérieure gauche du compartiment du réfrigérateur est obstrué par des articles placés directement devant, le réfrigérateur deviendra trop froid. Écarter les articles de l'évent.
- **Le bac d'entreposage est-il bien positionné?** Voir "Machine à glaçons et bac d'entreposage."
- **Les commandes sont-elles correctement réglées pour les conditions environnantes?** Régler les commandes à un réglage plus élevé. Vérifier la température 24 heures plus tard. Voir "Utilisation de la(des) commande(s)".

Il y a une accumulation d'humidité à l'intérieur

REMARQUE : Une certaine accumulation d'humidité est normale.

- **La pièce est-elle humide?** Ceci contribue à l'accumulation de l'humidité.
- **La/Les porte(s) est/sont-elle(s) fréquemment ouverte(s) ou laissée(s) ouverte(s)?** Ceci permet à l'air humide de pénétrer dans le réfrigérateur. Minimiser les ouvertures de porte et garder les portes complètement fermées.

Glaçons et eau

La machine à glaçons ne produit pas ou pas suffisamment de glaçons

- **Le réfrigérateur est-il connecté à l'alimentation en eau et le robinet d'arrêt d'eau est-il ouvert?** Brancher le réfrigérateur à l'alimentation en eau et ouvrir le robinet d'arrêt d'eau complètement.
- **La canalisation de la source d'eau du domicile comporte-t-elle une déformation?** Une déformation dans la canalisation peut réduire l'écoulement d'eau. Redresser la canalisation d'eau.
- **La machine à glaçons est-elle allumée?** S'assurer que la machine à glaçons est en marche. Voir "Machine à glaçons et bac d'entreposage de glaçons".
- **S'agit-il d'une nouvelle installation?** Attendre 24 heures après l'installation pour le commencement de la production de glaçons. Attendre 72 heures pour la production complète de glaçons.
- **La porte du réfrigérateur est-elle bien fermée?** Bien fermer la porte. Si elle ne ferme pas complètement, voir "Les portes ne ferment pas complètement".
- **Une grande quantité de glaçons vient-elle d'être enlevée?** Attendre 24 heures pour que la machine à glaçons produise plus de glaçons.
- **Un glaçon est-il coincé dans le bras éjecteur?** Enlever le glaçon du bras éjecteur avec un ustensile en plastique.
- **Un filtre à eau est-il installé sur le réfrigérateur?** Enlever le filtre et faire fonctionner la machine à glaçons. Si le volume de glace augmente, le filtre est probablement obstrué ou mal installé. Remplacer le filtre ou le réinstaller correctement.
- **Un système de filtration de l'eau à osmose inverse est-il connecté à votre canalisation d'eau froide?** Ceci peut diminuer la pression de l'eau. Voir "Spécifications de l'alimentation en eau".

Les glaçons sont creux ou petits

REMARQUE : Cela indique une faible pression de l'eau.

- **Le robinet d'arrêt d'eau n'est pas complètement ouvert?** Ouvrir le robinet d'arrêt d'eau complètement.
- **La canalisation de la source d'eau du domicile comporte-t-elle une déformation?** Une déformation dans la canalisation peut réduire l'écoulement d'eau. Redresser la canalisation d'eau.
- **Un filtre à eau est-il installé sur le réfrigérateur?** Enlever le filtre et faire fonctionner la machine à glaçons. Si la qualité des glaçons augmente, le filtre est probablement obstrué ou mal installé. Remplacer le filtre ou le réinstaller correctement.
- **Un système de filtration de l'eau à osmose inverse est-il connecté à votre canalisation d'eau froide?** Ceci peut diminuer la pression de l'eau. Voir "Spécifications de l'alimentation en eau".
- **Reste-t-il des questions concernant la pression de l'eau?** Appeler un plombier agréé et qualifié.

Goût, odeur ou couleur grise des glaçons

- **Les raccords de plomberie sont-ils neufs?** Des raccords de plomberie neufs peuvent causer une décoloration ou un mauvais goût des glaçons.
- **Les glaçons ont-ils été gardés trop longtemps?** Jeter les glaçons. Laver le compartiment à glaçons. Attendre 24 heures pour la fabrication de nouveaux glaçons.
- **Y a-t-il un transfert d'odeurs de nourriture?** Utiliser des emballages étanches à l'air et à l'humidité pour conserver les aliments.
- **L'eau contient-elle des minéraux (tels que le soufre)?** L'installation d'un filtre peut être requise afin d'enlever les minéraux.
- **Un filtre à eau est-il installé sur le réfrigérateur?** Une décoloration grise ou foncée de la glace indique que le système de filtration de l'eau a besoin d'un rinçage additionnel. Rincer le système de filtration d'eau avant d'utiliser un nouveau filtre. Remplacer le filtre à eau à la date indiquée. Voir "Système de filtration de l'eau".

Le distributeur d'eau et de glaçons ne fonctionne pas correctement

- **Le réfrigérateur est-il connecté à l'alimentation en eau et le robinet d'arrêt d'eau est-il ouvert?** Brancher le réfrigérateur à l'alimentation en eau et ouvrir le robinet d'arrêt d'eau complètement.
- **La canalisation de la source d'eau du domicile comporte-t-elle une déformation?** Redresser la canalisation d'eau.
- **S'agit-il d'une nouvelle installation?** Rincer et remplir le système de distribution d'eau. Voir "Distributeur d'eau et de glaçons".
- **La pression de l'eau est-elle d'au moins 35/ps² (241 kPa)?** La pression de l'eau du domicile détermine l'écoulement d'eau du distributeur. Voir "Spécifications de l'alimentation en eau".
- **Un filtre à eau est-il installé sur le réfrigérateur?** Enlever le filtre et faire fonctionner le distributeur. Si l'écoulement d'eau augmente, le filtre est probablement obstrué ou mal installé. Remplacer le filtre ou le réinstaller correctement.
- **La porte du réfrigérateur est-elle bien fermée?** Bien fermer la porte. Si elle ne ferme pas complètement, voir "Les portes ne ferment pas complètement".
- **Les portes ont-elles été récemment enlevées?** S'assurer que l'assemblage câble/tuyau du distributeur d'eau a été correctement reconnecté au sommet de la porte du réfrigérateur. Voir "Portes et tiroir du réfrigérateur".
- **Un système de filtration de l'eau à osmose inverse est-il connecté à votre canalisation d'eau froide?** Ceci peut diminuer la pression de l'eau. Voir "Spécifications de l'alimentation en eau".

L'eau coule du système de distribution

REMARQUE : Il est normal de constater une ou deux gouttes d'eau après la distribution d'eau.

- **Le verre n'a pas été maintenu sous le distributeur assez longtemps?** Maintenir le verre sous le distributeur 2 à 3 secondes après avoir relâché le levier du distributeur.
- **S'agit-il d'une nouvelle installation?** Rincer le système de distribution d'eau. Voir "Distributeur d'eau et de glaçons".
- **Le filtre à eau a-t-il été récemment changé?** Rincer le système de distribution d'eau. Voir "Distributeur d'eau et de glaçons".

L'eau du distributeur est tiède

REMARQUE : L'eau du distributeur est seulement réfrigérée à 50°F (10°C).

- **S'agit-il d'une nouvelle installation?** Attendre 24 heures après l'installation pour que l'alimentation d'eau refroidisse complètement.
- **Une grande quantité d'eau a-t-elle récemment été distribuée?** Attendre 24 heures pour que l'alimentation d'eau refroidisse complètement.
- **N'a-t-on pas récemment distribué de l'eau?** Le premier verre d'eau peut ne pas être froid. Jeter le premier verre d'eau.
- **Le réfrigérateur est-il branché à l'arrivée d'eau froide?** S'assurer que le réfrigérateur est branché à l'arrivée d'eau froide. Voir "Spécifications de l'alimentation en eau".

FEUILLE DE DONNÉES SUR LA PERFORMANCE

Système de filtration d'eau intérieur Modèle UKF8001AXX-200 /Capacité : 200 gallons (757 litres)



Système testé et certifié par NSF International en vertu de la norme NSF/ANSI 42 (réduction du goût et de l'odeur du chlore, et particules (classe I*)); et en vertu de la norme NSF/ANSI 53 (réduction de plomb, mercure, atrazine, benzène, p-dichlorobenzène, carbofuran, toxaphène, kystes, turbidité, amiante, O-dichlorobenzène, éthylbenzène, chlorobenzène, endrine, tétrachloroéthylène, et lindane).

Ce produit a été testé selon les normes NSF/ANSI 42 et 53 pour la réduction des substances énumérées ci-dessous. La concentration des substances indiquées dans l'eau entrant dans le système a été réduite à une concentration moindre ou égale à la limite permmissible pour l'eau qui quitte le système, tel que spécifié dans les normes NSF/ANSI 42 et 53.

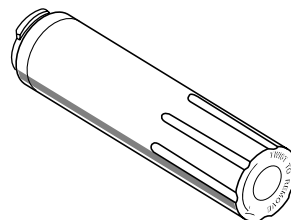
Réd. de substances Effets esthétiques	Critères de réduction NSF	Affluent moyen	Concentration dans l'eau à traiter	Effluent maximal	Effluent moyen	% de réd. minimale	% de réd. moyenne
Goût/odeur de chlore Particules (classe I*)	réduction de 50 % réduction de 85 %	2,00 mg/L 14 000 000 #/mL	2,0 mg/L ± 10 % Au moins 10 000 particules/mL	0,06 mg/L 370 000 #/mL**	0,050625 mg/L 196 666 #/mL	97,00 % 97,40 %	97,52 % 99,00 %
Réduction de contaminant	Critères de réduction NSF	Affluent moyen	Concentration dans l'eau à traiter	Effluent maximal	Effluent moyen	% de réd. minimale	% de réd. moyenne
Plomb : à pH 6,5 Plomb : à pH 8,5	0,010 mg/L 0,010 mg/L	0,150 mg/L† 0,150 mg/L†	0,15 mg/L ± 10 % 0,15 mg/L ± 10 %	< 0,001 mg/L < 0,001 mg/L	< 0,001 mg/L < 0,001 mg/L	>99,30 % >99,30 %	>99,30 % >99,30 %
Mercuré : à pH 6,5 Mercuré : à pH 8,5	0,002 mg/L 0,002 mg/L	0,006 mg/L 0,0059 mg/L	0,006 mg/L ± 10 % 0,006 mg/L ± 10 %	0,0005 mg/L 0,0018 mg/L	0,0003 mg/L 0,00073 mg/L	91,70 % 69,20 %	95,00 % 88,10 %
Benzène	0,005 mg/L	0,0133 mg/L	0,015 mg/L ± 10 %	0,0005 mg/L	0,0005 mg/L	96,10 %	96,30 %
p-dichlorobenzène	0,075 mg/L	0,210 mg/L	0,225 mg/L ± 10 %	< 0,0005 mg/L	< 0,0005 mg/L	>99,80 %	>99,80 %
Carbofuran	0,040 mg/L	0,0753 mg/L	0,08 mg/L ± 10 %	0,027 mg/L	0,008 mg/L	64,60 %	73,45 %
Toxaphène	0,003 mg/L	0,015 mg/L	0,015 ± 10 %	< 0,001 mg/L	< 0,001 mg/L	>93,3 %	>93,3 %
Atrazine	0,003 mg/L	0,0102 mg/L	0,009 mg/L ± 10 %	0,0027 mg/L	0,00105 mg/L	76,30 %	89,40 %
Amiante	>99 %	126,5 MF/L	10 ⁷ à 10 ⁸ fibres/L††	<0,17 MF/L	<0,17 MF/L	>99,99 %	>99,99 %
Kystes [‡] Turbidité	>99,95 % 0,5 NTU	122 500 #/L 10,5 NTU	50 000/L min. 11 ± 1 NTU	<1 #/L [‡] 0,30 NTU	<1 #/L [‡] 0,125 NTU	>99,99 % 97,30 %	>99,99 % 98,80 %
Lindane	0,0002 mg/L	0,0019 mg/L	0,002 ± 10 %	< 0,00016 mg/L	0,000035 mg/L	91,80 %	97,90 %
Tétrachloroéthylène	0,005 mg/L	0,015 mg/L	0,015 mg/L ± 10 %	< 0,0005 mg/L	< 0,0005 mg/L	>96,6 %	>96,6 %
O-dichlorobenzène	0,6 mg/L	1,7 mg/L	1,8 mg/L ± 10 %	< 0,5 mg/L	< 0,5 mg/L	>99,9 %	>99,9 %
Éthylbenzène	0,7 mg/L	2,2 mg/L	2,1 mg/L ± 10 %	0,0048 mg/L	0,11 mg/L	99,80 %	99,90 %
Chlorobenzène	0,1 mg/L	2,0 mg/L	2,0 mg/L ± 10 %	0,0038 mg/L	0,0008 mg/L	99,80 %	99,90 %
Endrine	0,002 mg/L	0,007 mg/L	0,006 mg/L ± 10 %	0,0004 mg/L	0,0002 mg/L	94,30 %	96,80 %

Paramètres de test : pH = 7,5 ± 0,5 à moins d'indications contraires. Débit = 0,55 gpm (2,08 Lpm). Pression = 60 lb/po² (413,7 kPa).
Température = 68°F ± 5°F (20°C ± 3°C).

- Il est essentiel que les exigences de fonctionnement, d'entretien et de remplacement de filtre soient respectées pour que ce produit donne le rendement annoncé.
- Le filtre à eau jetable devrait être remplacé au moins tous les 6 mois.
- Le système de contrôle du filtre mesure la quantité d'eau qui passe par le filtre et vous alerte lorsqu'il faut remplacer le filtre. Lorsque 90 % de la vie estimée du filtre sont utilisés, le témoin jaune (Order/commander) s'allume. Lorsque 100 % de la vie estimée du filtre sont utilisés, le témoin rouge (Replace/remplacer) s'allume et il est recommandé de remplacer le filtre. Pour les modèles sans témoin lumineux de l'état du filtre, remplacer le filtre tous les 6 mois. Utiliser un filtre de remplacement UKF8001AXX-200. Prix suggéré au détail en 2010 de 44,99 \$US/49,95 \$CAN. Les prix sont sujets à des changements sans préavis.
- Le produit ne doit être utilisé que pour l'eau froide.
- Ne pas utiliser pour le filtrage d'une eau microbiologiquement polluée ou de qualité inconnue en l'absence d'un dispositif de désinfection adéquat avant ou après le système. Les systèmes certifiés pour la réduction de kyste peuvent être utilisés pour l'eau désinfectée qui peut contenir des kystes filtrables.
- Veuillez vous référer à la section "Système de filtration de l'eau" pour le nom et le numéro de téléphone du fabricant.
- Veuillez vous référer à la section "Garantie" pour la garantie limitée du fabricant.

Directives d'application/Paramètres d'approvisionnement en eau

Approvisionnement en eau	Collectivité ou puits
Pression de l'eau	35 - 120 lb/po ² (241 - 827 kPa)
Température de l'eau	33° - 100°F (1° - 38°C)
Débit nominal	0,55 gpm (2,08 Lpm) à 60 lb/po ²



*Classe I - taille des particules : > 0,5 à < 1 µm

**Exigence de test : au moins 100 000 particules/mL (poussière de test fine AC).

†Ces contaminants ne sont pas nécessairement présents dans votre approvisionnement d'eau. Le rendement peut varier selon les conditions locales de l'eau.

††Fibres de longueur supérieure à 10 µm

‡Cas de la filtration de kystes de *Cryptosporidium parvum*

© NSF est une marque déposée de NSF International.

KITCHENAID® REFRIGERATOR WARRANTY

LIMITED WARRANTY

For one year from the date of purchase, when this major appliance is operated and maintained according to instructions attached to or furnished with the product, KitchenAid brand of Whirlpool Corporation or Whirlpool Canada LP (hereafter "KitchenAid") will pay for factory specified parts and repair labor to correct defects in materials or workmanship that existed when this major appliance was purchased. Service must be provided by a KitchenAid designated service company. YOUR SOLE AND EXCLUSIVE REMEDY UNDER THIS LIMITED WARRANTY SHALL BE PRODUCT REPAIR AS PROVIDED HEREIN. This limited warranty is valid only in the United States or Canada and applies only when the major appliance is used in the country in which it was purchased. Proof of original purchase date is required to obtain service under this limited warranty.

On models with a water filter: 30 day limited warranty on water filter. For 30 days from the date of purchase, when this filter is operated and maintained according to instructions attached to or furnished with the product, KitchenAid will pay for a replacement water filter to correct defects in materials and workmanship.

SECOND THROUGH FIFTH YEAR LIMITED WARRANTY ON CAVITY LINER AND SEALED REFRIGERATION SYSTEM

In the second through fifth year from the date of purchase, when this major appliance is operated and maintained according to instructions attached to or furnished with the product, KitchenAid will pay for replacement or repair of the refrigerator/freezer cavity liner (including labor costs) if the part cracks due to defective materials or workmanship that existed when this major appliances was purchased. Also, in the second through fifth year from the date of purchase, when this major appliance is operated and maintained according to instructions attached to or furnished with the product, KitchenAid will pay for factory specified parts and repair labor for the following components to correct defects in materials or workmanship in the sealed refrigeration system that existed when this major appliance was purchased: compressor, evaporator, condenser, dryer, and connecting tubing.

SIXTH THROUGH TENTH YEAR LIMITED WARRANTY ON SEALED REFRIGERATION SYSTEM

In the sixth through tenth year from the date of purchase, when this major appliance is operated and maintained according to instructions attached to or furnished with the product, KitchenAid will pay for factory specified parts for the following components to correct defects in materials or workmanship in the sealed refrigeration system that existed when this major appliance was purchased: compressor, evaporator, condenser, dryer, and connecting tubing.

ITEMS EXCLUDED FROM WARRANTY

This limited warranty does not cover:

1. Replacement parts or repair labor if this major appliance is used for other than normal, single-family household use or when it is used in a manner that is inconsistent to published user or operator instructions and/or installation instructions.
 2. Service calls to correct the installation of your major appliance, to instruct you on how to use your major appliance, to replace or repair house fuses, or to correct house wiring or plumbing.
 3. Service calls to repair or replace appliance light bulbs, air filters or water filters. Consumable parts are excluded from warranty coverage.
 4. Damage resulting from accident, alteration, misuse, abuse, fire, flood, acts of God, improper installation, installation not in accordance with electrical or plumbing codes, or use of products not approved by KitchenAid.
 5. Cosmetic damage, including scratches, dents, chips or other damage to the finish of your major appliance, unless such damage results from defects in materials or workmanship and is reported to KitchenAid within 30 days from the date of purchase.
 6. Any food or medicine loss due to refrigerator or freezer product failures.
 7. Pickup and delivery. This major appliance is intended to be repaired in your home.
 8. Repairs to parts or systems resulting from unauthorized modifications made to the appliance.
 9. Expenses for travel and transportation for product service if your major appliance is located in a remote area where service by an authorized KitchenAid servicer is not available.
 10. The removal and reinstallation of your major appliance if it is installed in an inaccessible location or is not installed in accordance with KitchenAid's published installation instructions.
 11. Replacement parts or repair labor on major appliances with original model/serial numbers that have been removed, altered or cannot be easily determined.
-

DISCLAIMER OF IMPLIED WARRANTIES

IMPLIED WARRANTIES, INCLUDING ANY IMPLIED WARRANTY OF MERCHANTABILITY OR IMPLIED WARRANTY OF FITNESS FOR A PARTICULAR PURPOSE, ARE LIMITED TO ONE YEAR OR THE SHORTEST PERIOD ALLOWED BY LAW. Some states and provinces do not allow limitations on the duration of implied warranties of merchantability or fitness, so this limitation may not apply to you. This warranty gives you specific legal rights, and you also may have other rights that vary from state to state or province to province.

LIMITATION OF REMEDIES; EXCLUSION OF INCIDENTAL AND CONSEQUENTIAL DAMAGES

YOUR SOLE AND EXCLUSIVE REMEDY UNDER THIS LIMITED WARRANTY SHALL BE PRODUCT REPAIR AS PROVIDED HEREIN. KITCHENAID SHALL NOT BE LIABLE FOR INCIDENTAL OR CONSEQUENTIAL DAMAGES. Some states and provinces do not allow the exclusion or limitation of incidental or consequential damages, so these limitations and exclusions may not apply to you. This warranty gives you specific legal rights, and you also may have other rights that vary from state to state or province to province.

If outside the 50 United States and Canada, contact your authorized KitchenAid dealer to determine if another warranty applies.

6/08

Pour des informations supplémentaires sur le produit, aux É.-U., visiter www.kitchenaid.com.
Au Canada, visiter www.kitchenaid.ca.

Si vous n'avez pas accès à Internet et que vous nécessitez une assistance pendant l'utilisation du produit ou que vous souhaitez prendre un rendez-vous, vous pouvez contacter KitchenAid au numéro ci-dessous.

Ayez votre numéro de modèle à disposition. Vous pouvez trouver vos numéros de modèle et de série sur la plaque située sur la paroi interne du compartiment de réfrigération.

Pour assistance ou service aux É.-U., composez le 1-800-422-1230. Au Canada, composez le 1-800-807-6777.

Si vous avez besoin de plus d'assistance, vous pouvez écrire à KitchenAid en soumettant toute question ou problème à l'adresse suivante :

Aux États-Unis :

KitchenAid Brand Home Appliances
Customer eXperience Center
553 Benson Road
Benton Harbor, MI 49022-2692

Au Canada :

KitchenAid Brand Home Appliances
Centre d'eXpérience à la clientèle
200 – 6750 Century Ave.
Mississauga, Ontario L5N 0B7

Dans votre correspondance, veuillez indiquer un numéro de téléphone où l'on peut vous joindre dans la journée.

Veuillez conserver ces instructions d'utilisation et le numéro de modèle pour référence ultérieure.